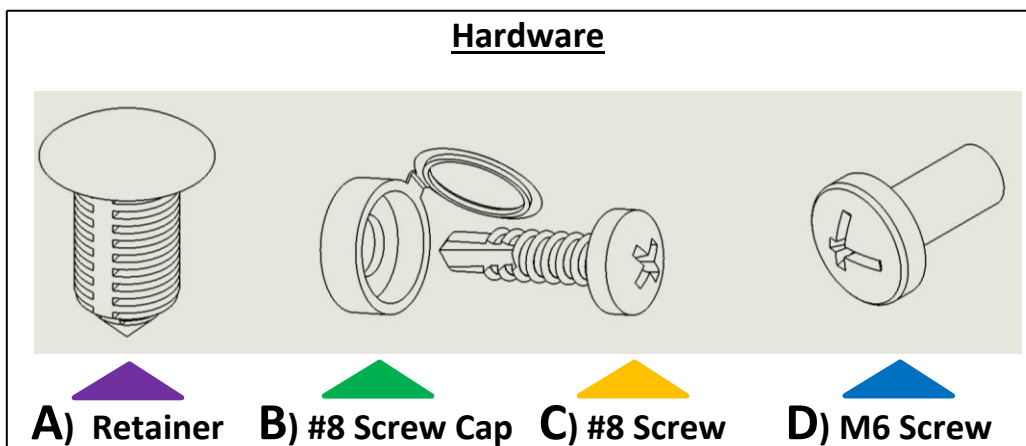
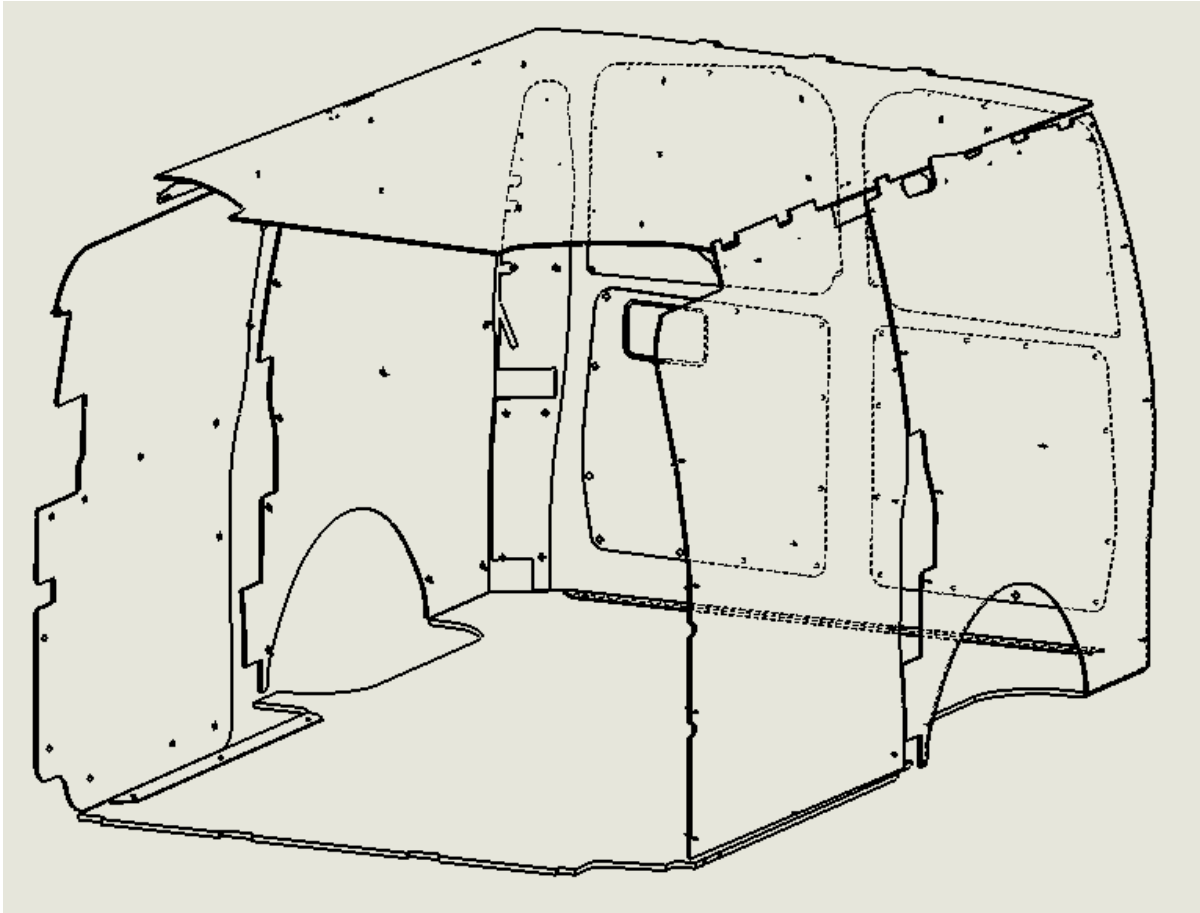


MERCEDES BENZ METRIS FULL SIZE WALL LINERS INSTALLATION INSTRUCTIONS

NOTES:

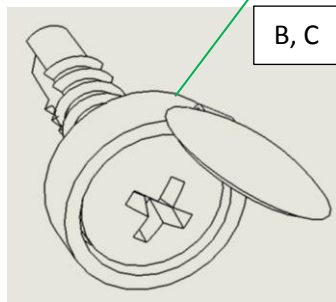
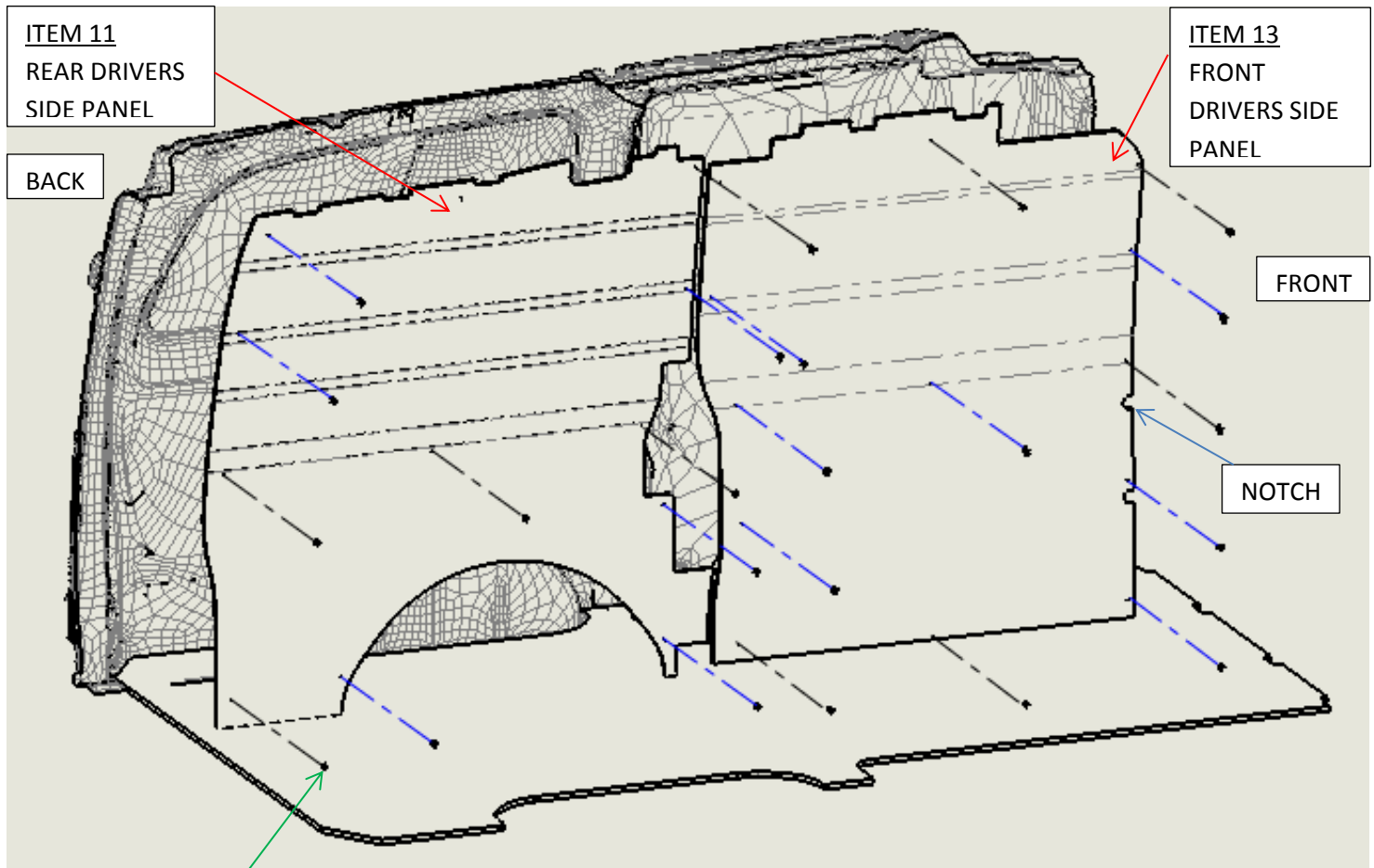
1. Before commencing, remove all wall liners already installed in the vehicle.
2. Consult layout PDF and compare vehicle layout allocated Legend.
3. Prepare hardware shown below and have them ready for installation.
4. Wall liners will be installed in the order shown in the instructions.
5. A drill with a Phillips driver is required to install (**C**) #8 Screws) shown below.





ITEM NO.	PART NUMBER	DESCRIPTION	QTY.
1	155-114-2613	CEILING PANEL - METRIS - GREY	1
2	157-151-1010	SILL - DRIVER SIDE - METRIS	1
3	157-151-1010 PS	SILL - PASSENGER SIDE - METRIS	1
4	152-XXX-XXXX	METRIS FLOOR	1
5	154-114-2613	REAR PASSENGERS SIDE PANEL - METRIS - GREY	1
6	153-114-2013	SLIDING DOOR PASSENGERS SIDE PANEL - METRIS - GREY	1
7	153-114-2013	LOWER DOOR DRIVERS SIDE PANEL - METRIS - GREY	1
8	153-114-2013	LOWER DOOR PASSENGERS SIDE PANEL - METRIS - GREY	1
9	153-114-2613	UPPER DOOR DRIVERS SIDE PANEL - METRIS - GREY	1
10	153-114-2013	UPPER DOOR PASSENGERS SIDE PANEL - METRIS - GREY	1
11	154-114-2613	REAR DRIVERS SIDE PANEL - METRIS - GREY	1
12	154-114-2613	REAR CORNER DRIVERS SIDE PANEL - METRIS - GREY	1
13	154-114-2613	FRONT DRIVERS SIDE PANEL - METRIS - GREY	1
14	154-114-2613	REAR CORNER PASSENGERS SIDE PANEL - METRIS - GREY	1
15	156-151-1010	FLOOR SILL 40"- METRIS	1
16	158-151-1010	FLOOR SILL 53"- METRIS	1
17	SCREW	SCREW - PHIL. PAN HD #8X.75 SELF DRILLING	110
18	RETAINER	RETAINER- BLACK NYLON	37
19	SCREW CAP	SCREW CAP	104
20	SCREW M6	SCREW M6x1.0x13 PHIL PAN HD ZINC	2

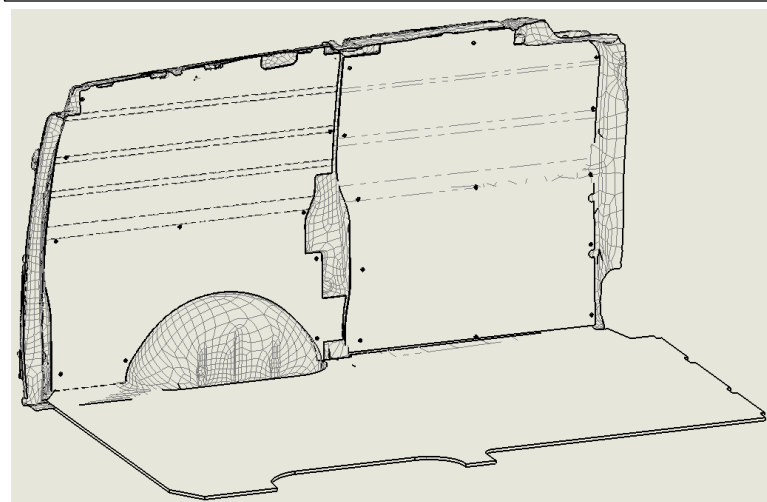
Driver Side Wall Liner Installation



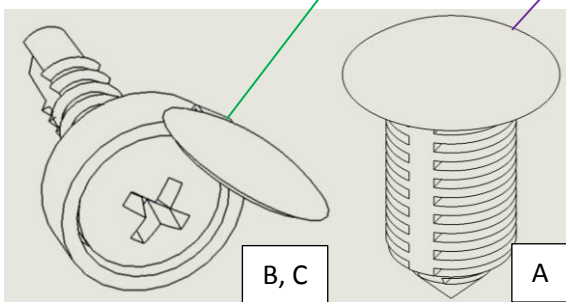
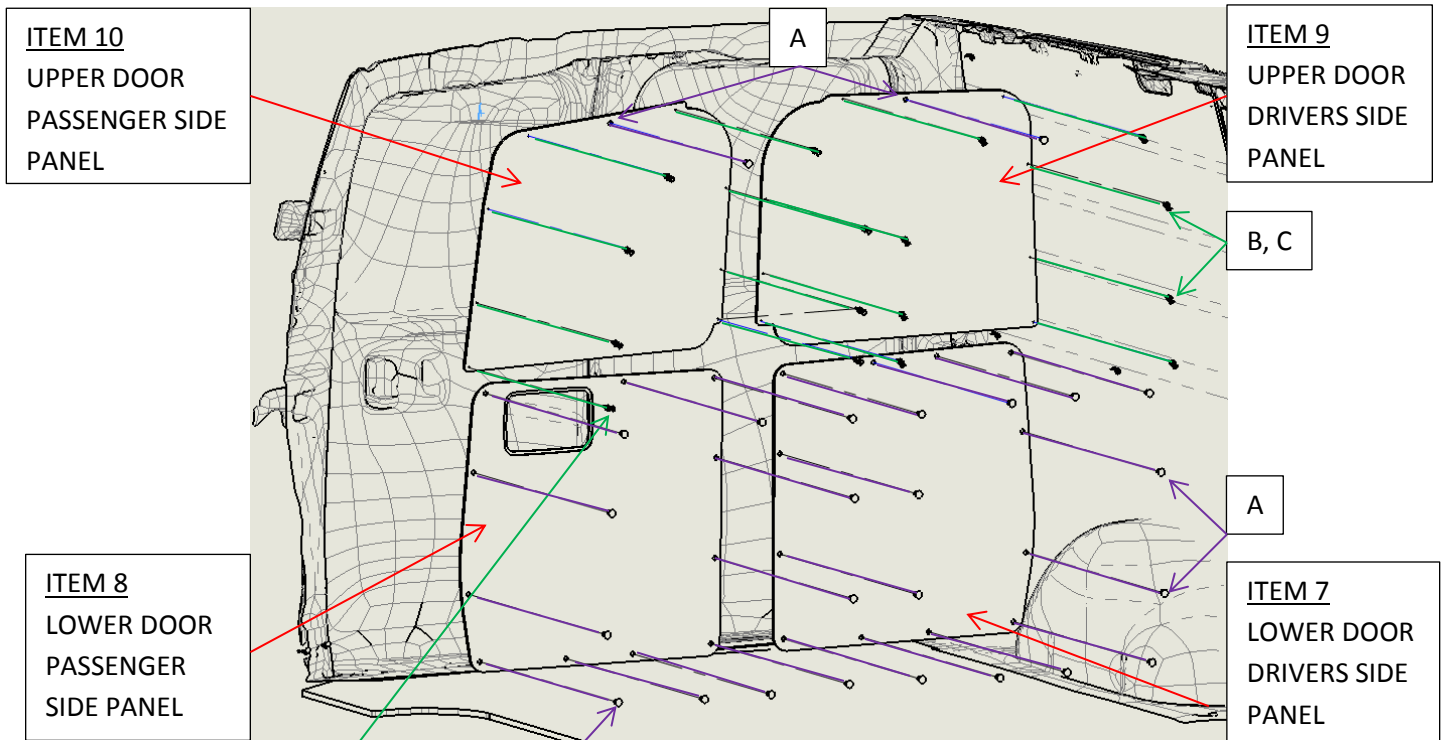
B, C

- 1:** Install Item 13, Front Driver Side Panel.
 - Align notch and edge of panel with the feature on the vehicle driver side front then align opposite side of panel edge with the contour features.
 - Install hardware (B, C), in the holes provided, on the bottom of the panel first, working your way up the panel to the top.
- 2:** Install Item 11, Rear Driver Side Panel.
 - Align wheel well edge of the panel with the feature on the vehicle, position the contour of the panel to the vehicle wall.
 - Install hardware (B, C), in the holes provided, on the bottom of the panel first, working your way up the panel to the top.

Installation completed

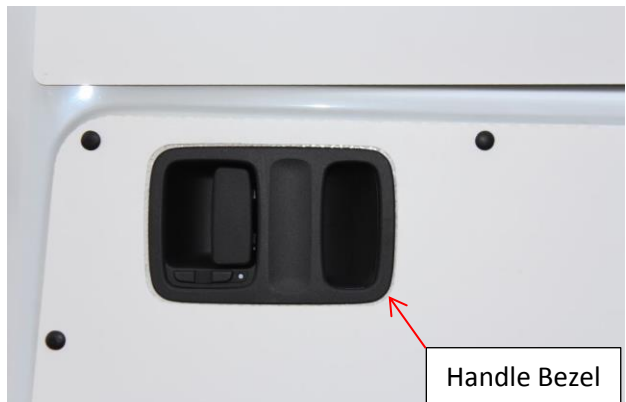
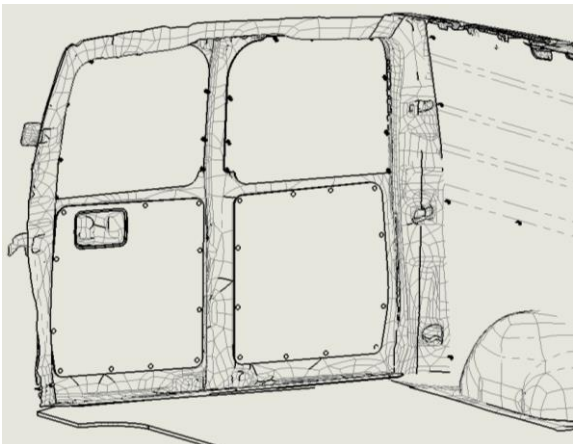


Back Door Wall Liner Installation

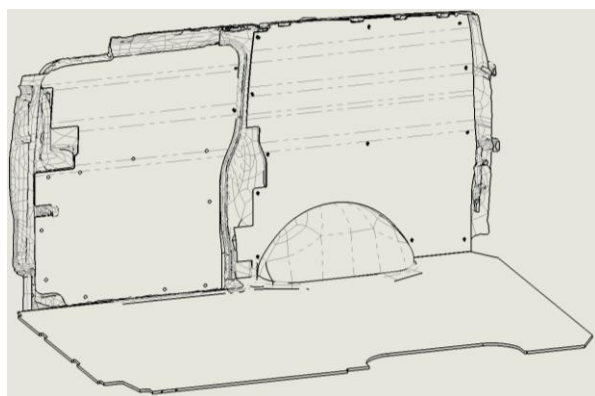
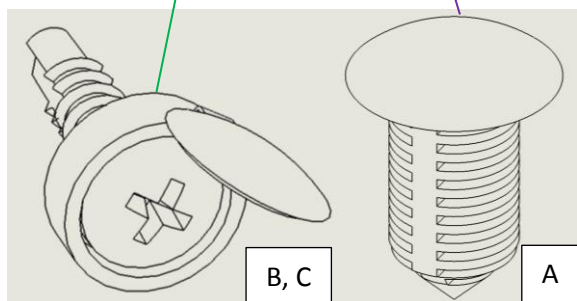


- 3:** Install Item 9 and 10, Upper door panels,
- Install hardware (A) in the center top hole on each panel and on the corresponding hole at the top center of each door.
 - Align the Upper panels with the door contours.
 - Install hardware (B, C), in the holes provided, on the bottom of the panel first, working your way up the panel to the top.
- 4:** Remove the door handle Bezel prior to installing the bottom passenger side panel. The bezel must be pulled off of the handle unclipping the edge of the Bezel all around the handle frame.
- Install Item 7 and 8, Lower door panels, with hardware (A) all around the panels in the holes provided on the panel as well as on the doors.
 - Align the Lower panels with the door contours, install hardware (A).
 - Reinstall the handle Bezel by aligning it and pushing it back into place.

Installation completed



Passenger Side Wall Liner Installation



Installation completed

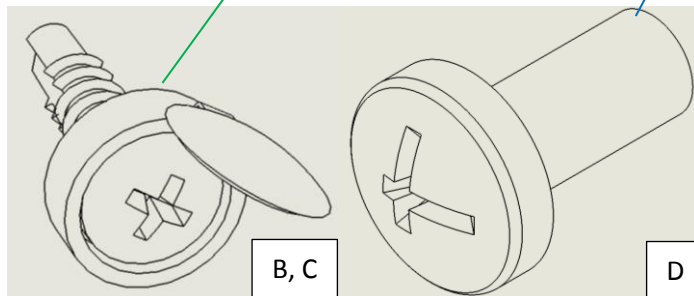
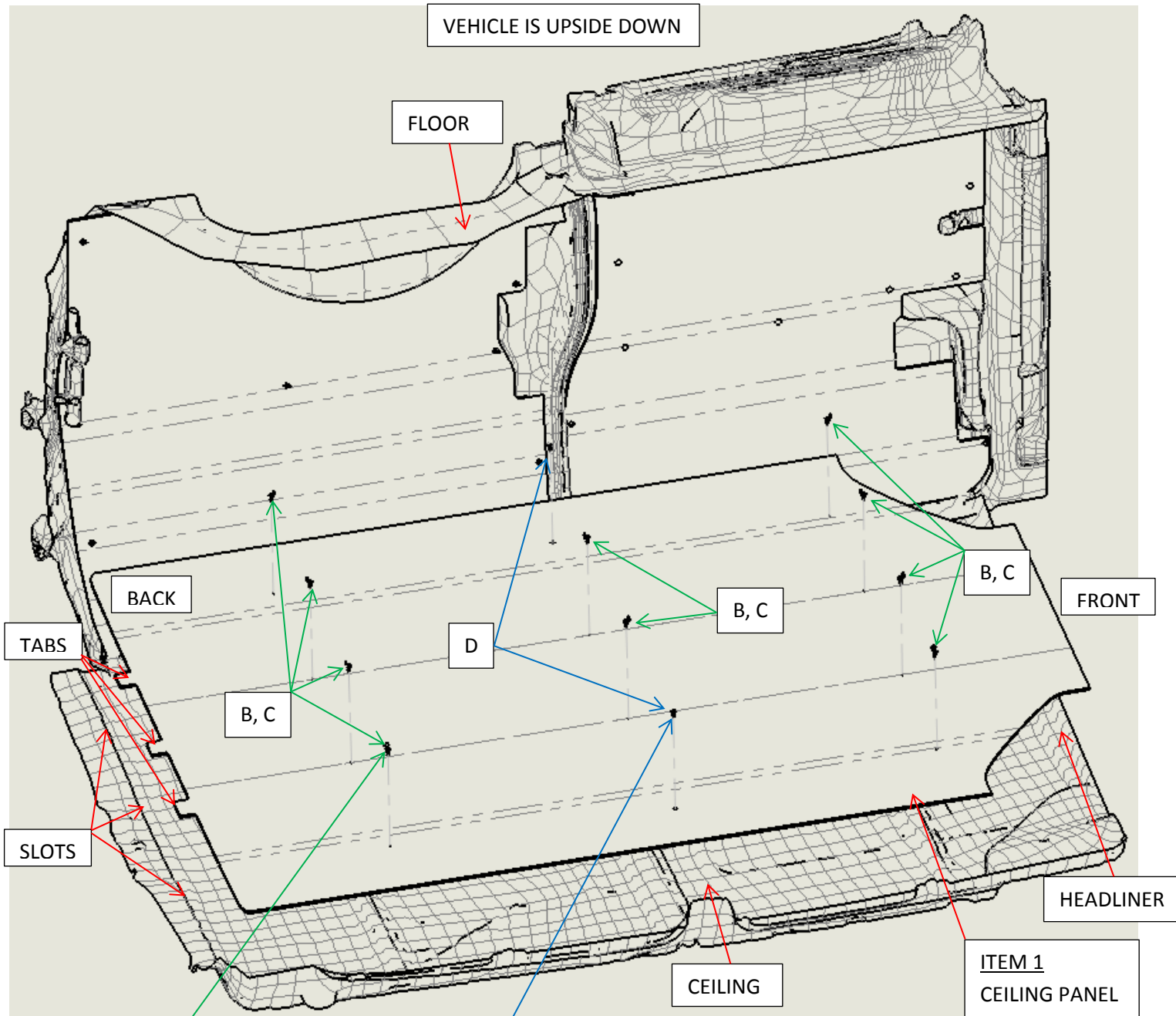
5: Install Item 5, Rear Passenger Side Panel.

- Align wheel well edge of the panel with the feature on the vehicle; position the contour of the panel to the vehicle wall.
- Install hardware (B, C), in the holes provided, on the bottom of the panel first, working your way up the panel to the top.

6: Install Item 6, Sliding Door Panel.

- Note: Sliding door must be closed to install panel;
- Insert panel into the sliding door sill cavity, align holes at the bottom half of the panel to the one on the door and insert Retainer (A) in all of the holes. Install hardware (B, C) in the holes provided on the top part of the panel.

Ceiling Liner Installation



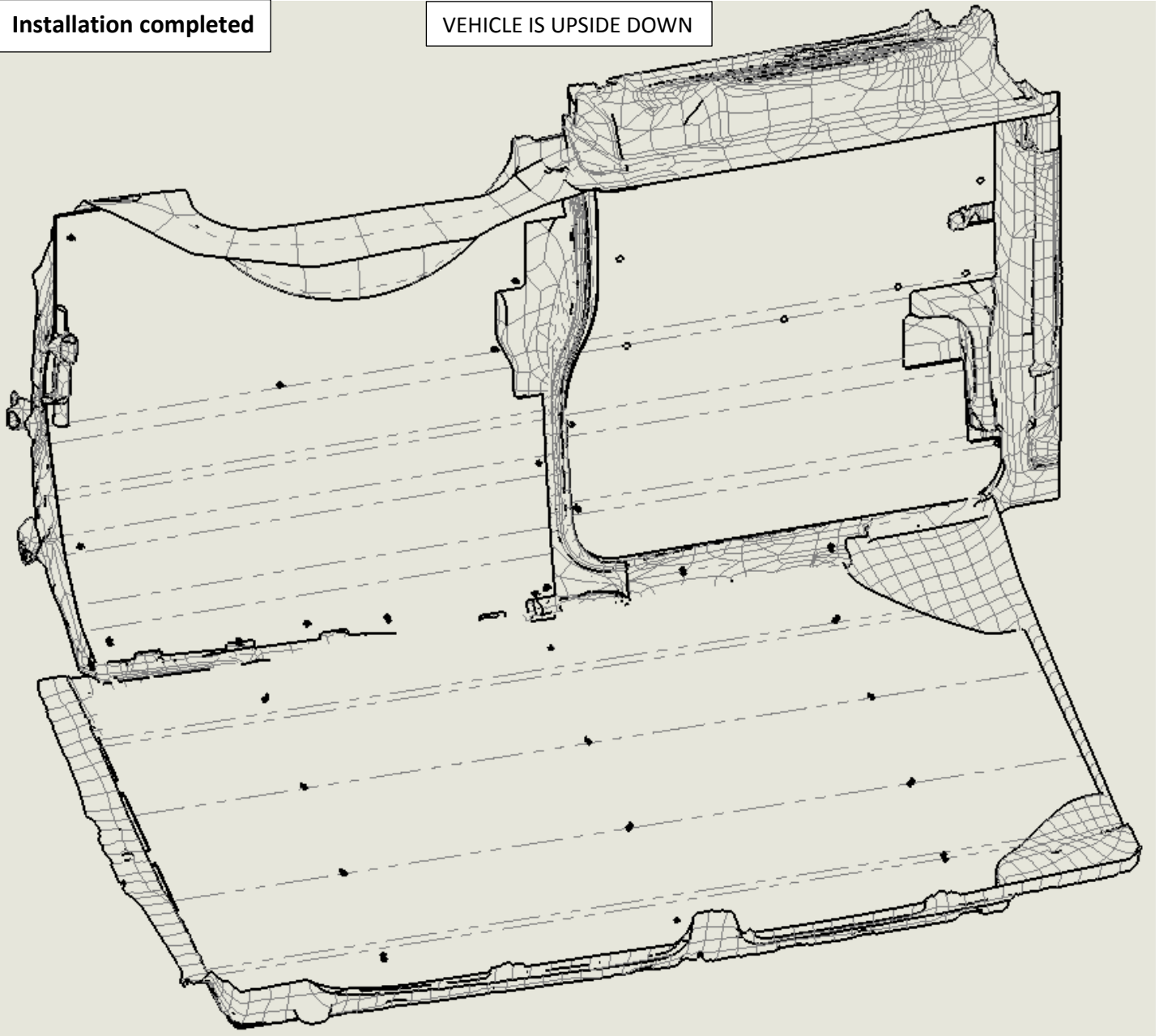
Z: Install Item 1, Ceiling Panel.

- Align Ceiling panel with the feature on the vehicle in the front, insert the front of the panel between the headliner and the roof, and insert the back tabs of the panel into the slots in the back top section of the vehicle.
- Align the outside holes at the center of the panel with the threaded inserts in the ceiling and install hardware (D) on each side; this will align the panel with the ceiling.
- Push the panel against the ceiling and install hardware (B, C), in the holes provided starting from the front working your way towards the back.

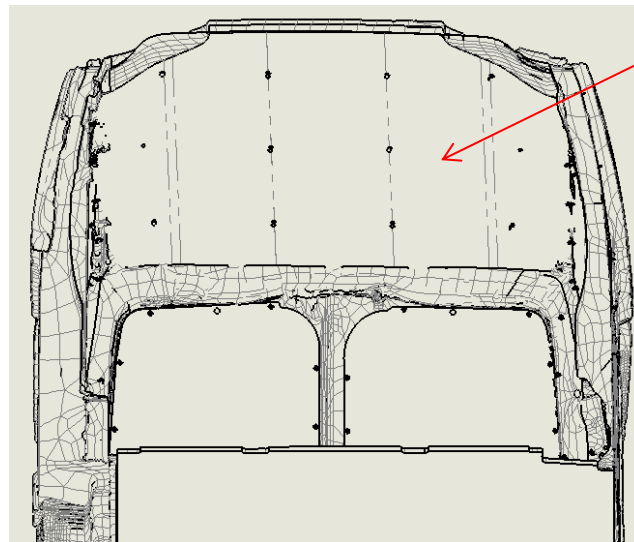
Ceiling Liner Installation

Installation completed

VEHICLE IS UPSIDE DOWN



View from the cabin towards the back



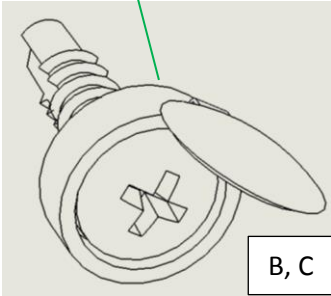
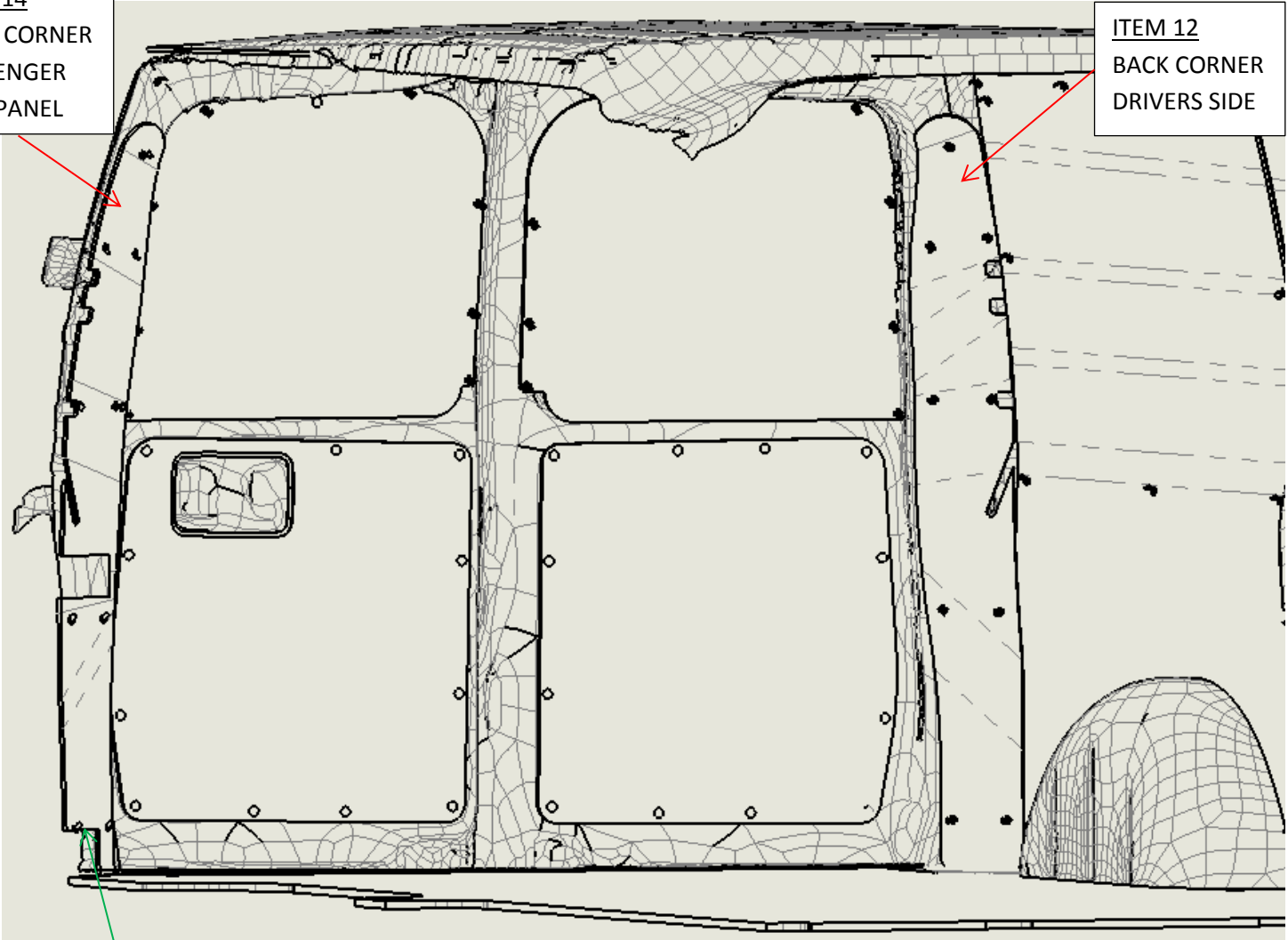
CEILING

Back Corners Liners Installation

View installed

ITEM 14
BACK CORNER
PASSENGER
SIDE PANEL

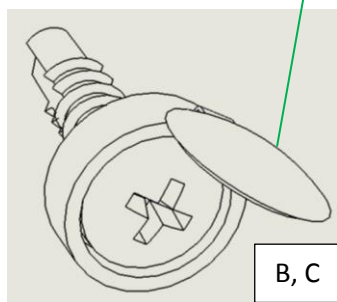
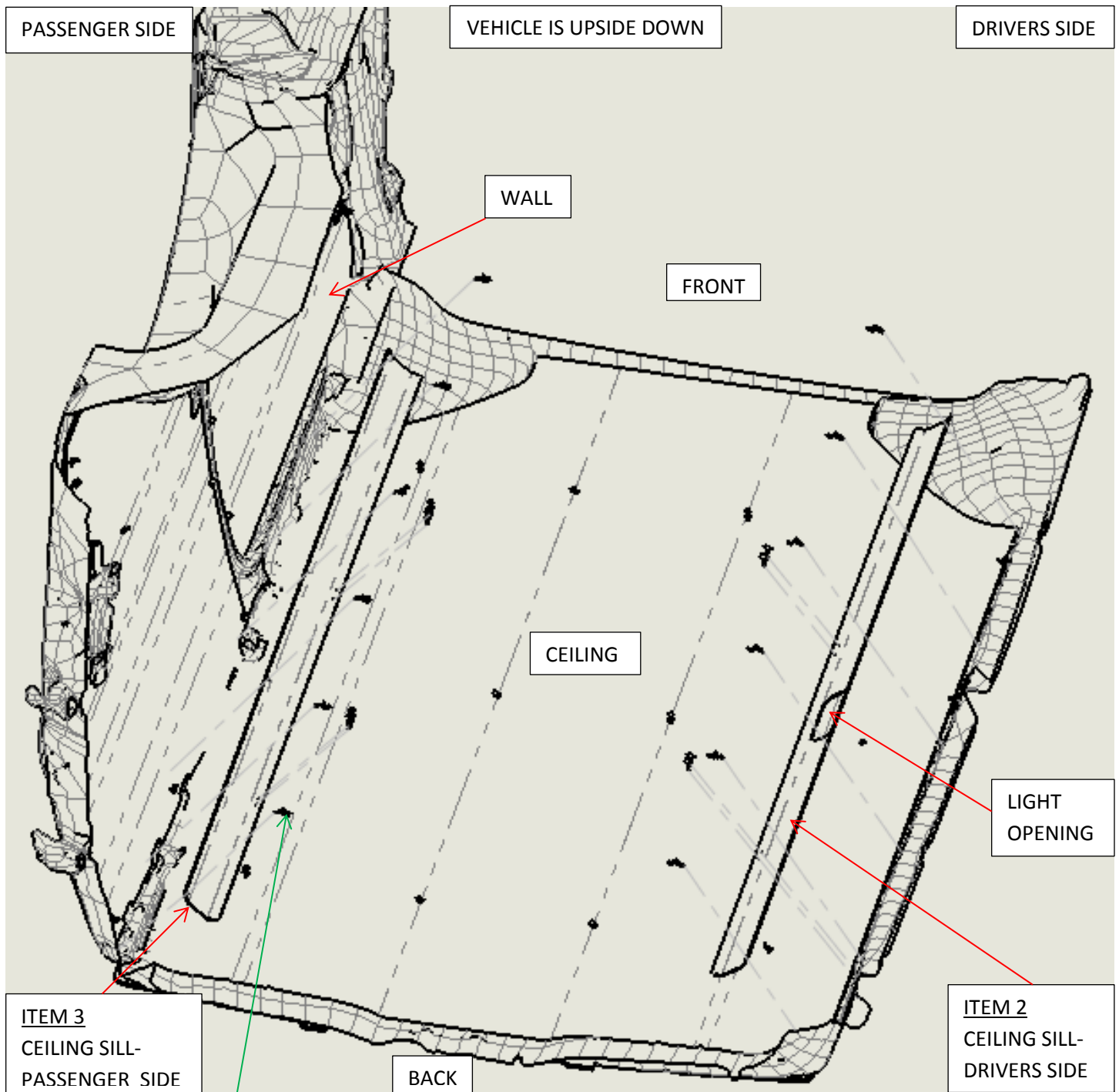
ITEM 12
BACK CORNER
DRIVERS SIDE



B, C

- 8:** Install Item 12 AND 14, Back Corner Panels.
- Align Corner panels with the wall features on the vehicle in each back corner as well as with the floor.
 - Push the panel against the corner wall and install hardware (B, C), in the holes provided starting from the bottom working your way towards the top.

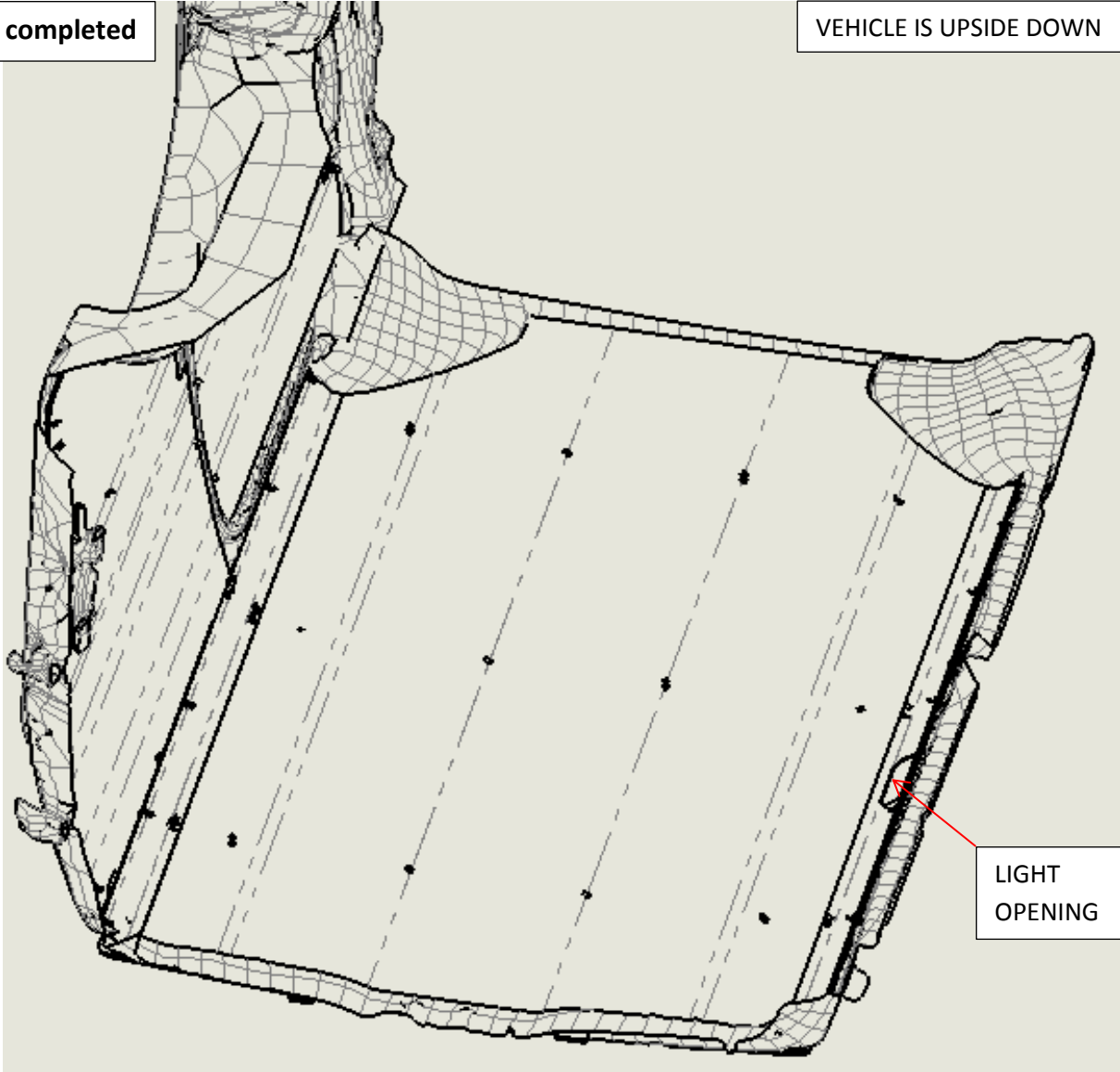
Ceiling Sills Installation



- 9:** Install Item 2 AND 3, Ceiling Sills.
- Align the Sill on its appropriate side with the wall and the ceiling. The Sill with the large hole is the Drivers side Sill which aligns with the light in the vehicle.
 - The side of the Sill with the most holes goes against the wall and the side with the four holes goes against the ceiling. These four holes align with the roof cross members.
 - Push the Sill against the wall and the ceiling equally and install hardware (B, C), in the holes provided starting with the holes on the wall side of the Sill, install all of them first then install the hardware (B,C) on the ceiling side of the Sill.

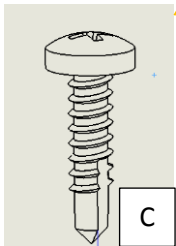
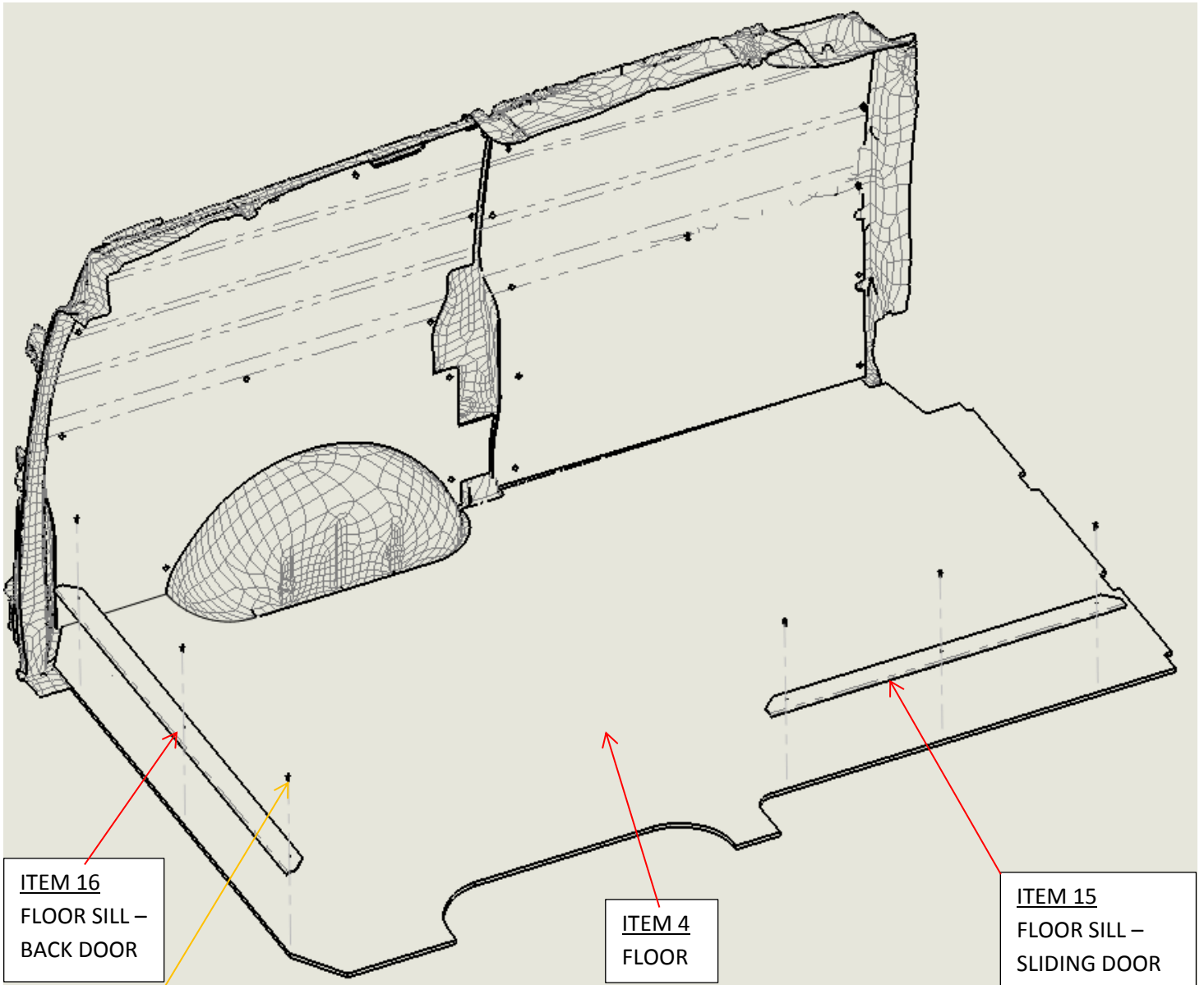
Installation completed

VEHICLE IS UPSIDE DOWN



LIGHT
OPENING

Floor and Floor Sill Installation



10: Install Items 4, 15 AND 16, FLOOR and FLOOR SILLS.

- Install floor inside the vehicle.
- Align the floor sills in their proper location with the floor edges and install hardware (C), in the holes provided.

Installation completed

