

TAKING YOUR UPFITS TO THE NEXT LEVEL

**RIGID FLOORS
RUBBER MATS
INTERIOR LINERS**

Legend Fleet Solutions
56957 Hwy 3 West
Tillsonburg, Ontario, N4G 4G8 Canada
W www.legendfleet.com
E customercare@legendfleet.com | info@legendfleet.com
P 519 688 1043 TF 866 223 2256

LEGEND FLEET SOLUTIONS
Product Guide 2020

LEGEND FLEET SOLUTIONS
Full Product Guide 2020

PROTECT YOUR CARGO VANS

RIGID FLOORS.
RUBBER MATS.
INTERIOR LINERS.



The commercial cargo van is the life-blood of thousands of companies across the world.

They make your deliveries, bring you your online purchases, service utilities, fix your internet - the list goes on. Mobile workers are working hard everyday. But could they be saving even more time? Could fleets be working more efficiently - more safely? Legend Fleet Solutions enables the mobile workforce to do their job even better by maximizing the safety and protection of the interior of cargo vans and their operators.

TABLE OF CONTENTS

Product Benefits	3
Dealer Network	5
Cargo Van Options	7
Ford Vehicles	9
Ram Vehicles	15
Mercedes Vehicles	21
Nissan Vehicles	27
GM Vehicles	31
Complete Kit Information	35
StabiliGrip Rigid Floor	37
UltraGrip Rigid Floor	41
UltraFloor Rigid Floor	45
KK-Plus Rigid Floor	49
AutoMat-Bar Rubber Mat	53
ArmorMat Rubber Mat	57
DuraTherm Wall Liner	61
DuraTherm Ceiling Liner	67
DuraTherm Door Liner	73
Aluminium Sill Plates	77
Black and Yellow Steel Thresholds	81
Wheel Well Covers	83
EconoLite Wall Liners	85
EconoLite Door Liners	89
EconoMat Rubber Mat	91
EconoFloor Rigid Floor	93
Fleet Customization Info	95

WHERE DURABILITY AND SAFETY MATTER MOST

- **Safety**
Non-slip, ergonomic working conditions for employees
- **Sound-deadening**
Dampens rattling in cargo area and reduces road noise entering the vehicle
- **Puncture-resistance**
Protects vehicles from costly dents and damage
- **Increased re-sale**
Enhanced vehicle condition at end of vehicle life cycle
- **Efficiency**
Enables ease of loading and improves operating conditions for technicians
- **Cost-effective**
Higher quality products at extremely competitive prices
- **Load management**
Reduces hazards from shifting cargo



EXTENSIVE DEALER NETWORK



With an extensive and growing registered dealer network throughout North America, Legend products are easily accessible. Legend Fleet has warehouses in California and Texas as well as its headquarters, in Ontario, Canada. We offer flexible dealer opportunities to accommodate fleet customers wherever they are planning their fleet vehicle upfits. See more fleet information on page 95.

CARGO VAN OPTIONS



Transit Connect (105") SWB
Transit Connect (121") LWB
Transit 130" WB
Transit 148" WB
Transit 148" Extended WB



Promaster 118" WB
Promaster 136" WB
Promaster 159" WB
Promaster 159" Extended WB
Promaster City (122" WB)
C/V Tradesman (119" WB)



Mercedes-Benz

Mercedes Metris (126") RWB
Mercedes Metris (135") Extended WB
Sprinter 144" WB
Sprinter 170" WB
Sprinter 170" Extended WB



NV 200 (115" WB)
NV Cargo (140" WB)



Chevy City Express (115" WB)
GMC Savana/Chevy Express Regular (135") WB
GMC Savana/Chevy Express Extended (155") WB

WARRANTY FOR LIFETIME OF VEHICLE



FORD VEHICLES



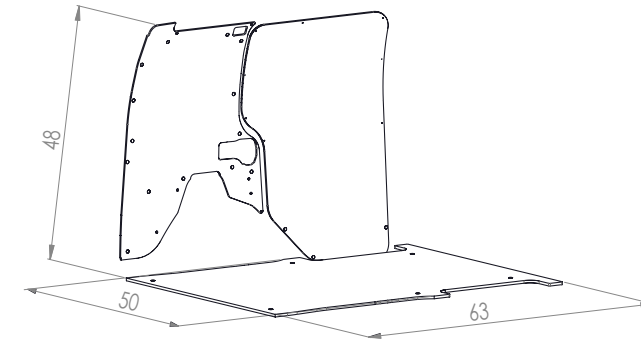
FORD MEASUREMENTS



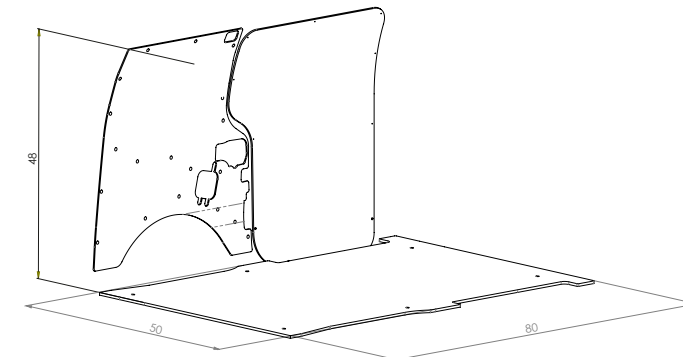
- Transit Connect SWB
- Transit Connect LWB
- Transit 130" WB LR
- Transit 130" WB MR
- Transit 148" WB LR
- Transit 148" WB MR
- Transit 148" WB HR
- Transit 148" EXT WB HR



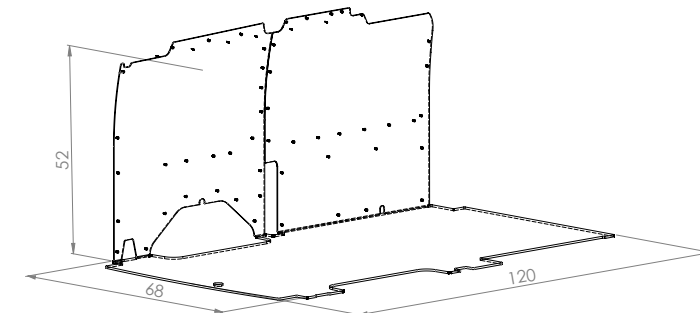
FORD TRANSIT CONNECT SWB



FORD TRANSIT CONNECT LWB

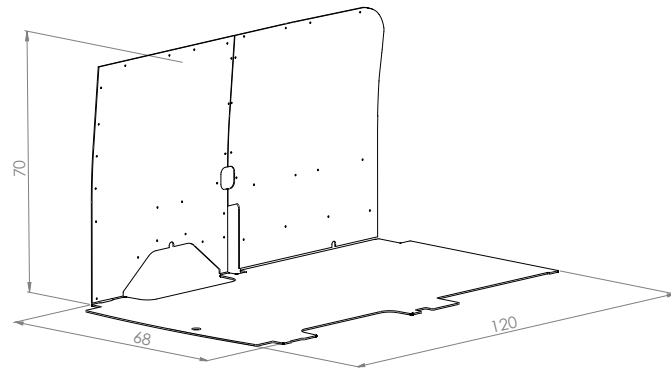


FORD TRANSIT 130 LR

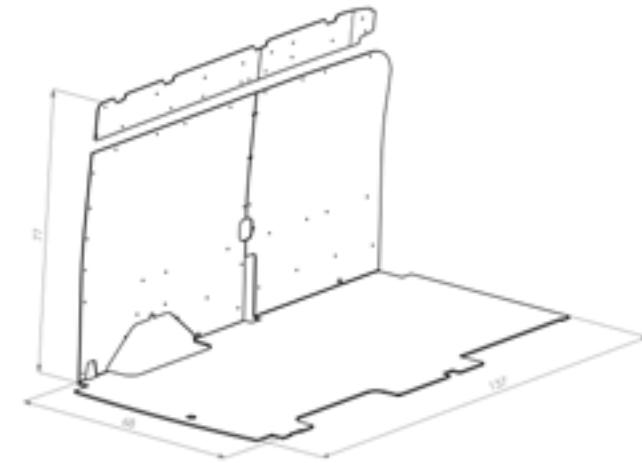


FORD MEASUREMENTS

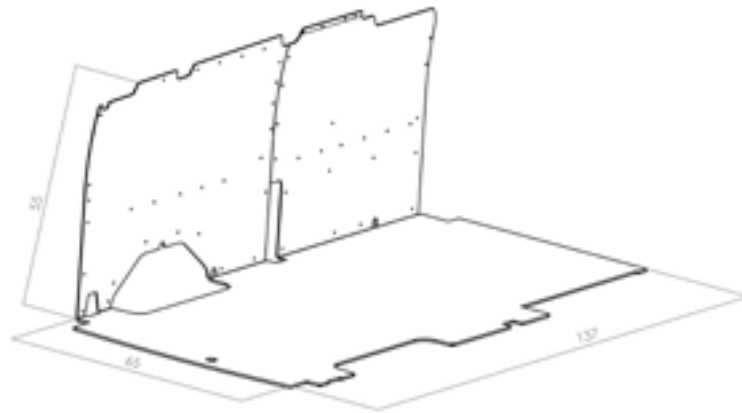
FORD TRANSIT 130 MR



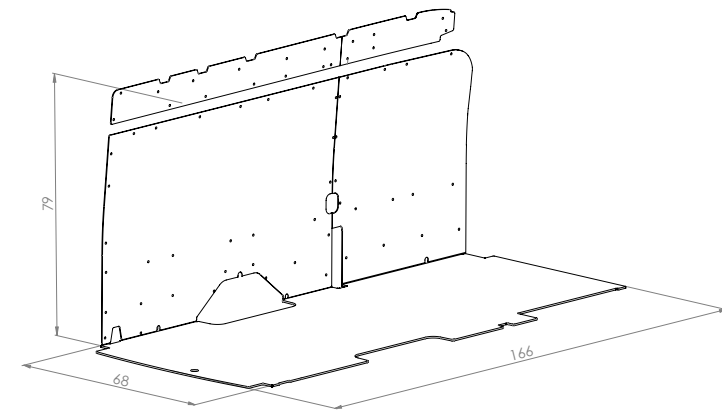
FORD TRANSIT 148 HR



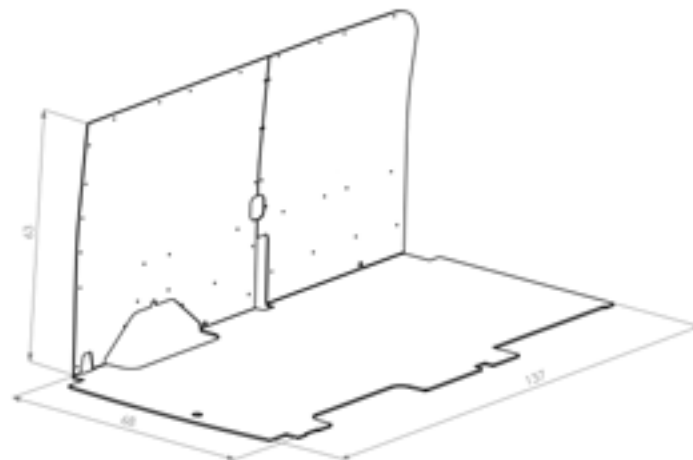
FORD TRANSIT 148 LR



FORD TRANSIT 148 EXT HR



FORD TRANSIT 148 MR



RAM VEHICLES



RAM MEASUREMENTS

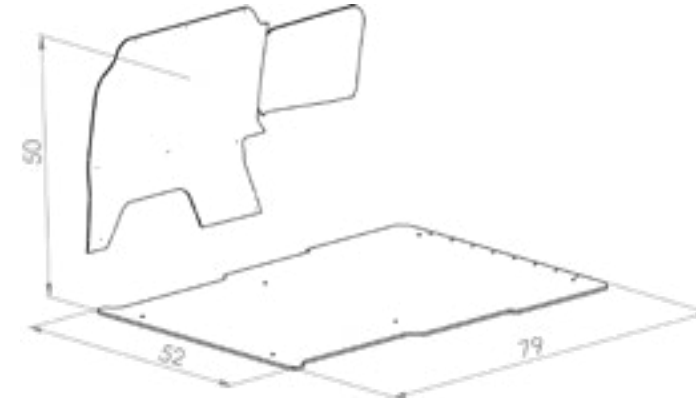


PROMASTER CITY
PROMASTER 118 WB LR
PROMASTER 136 WB LR
PROMASTER 136 WB HR
PROMASTER 159 WB HR
PROMASTER 159 EXT WB HR

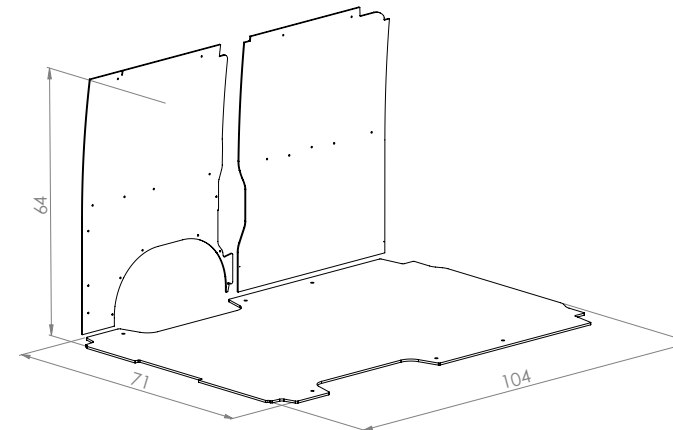


PROMASTER CITY

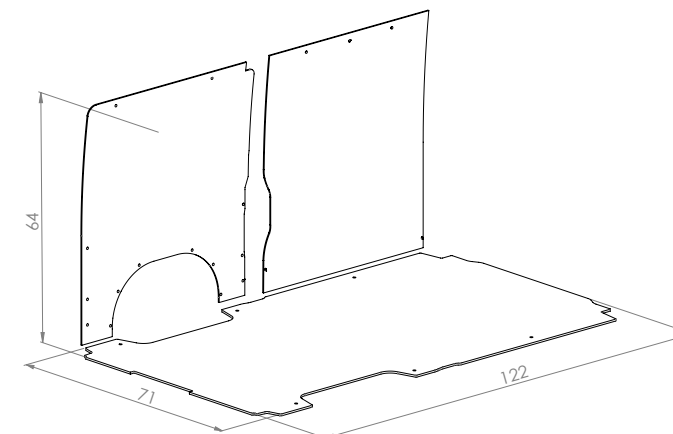
Please specify US or Canada version for all ProMaster City vehicles as these do vary.



PROMASTER 118 WB LR

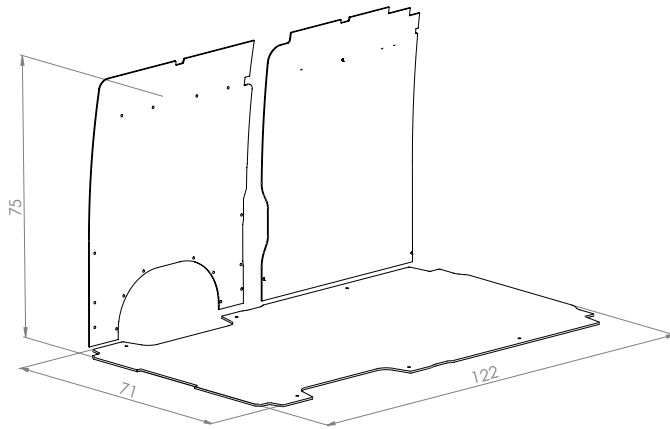


PROMASTER 136 WB LR

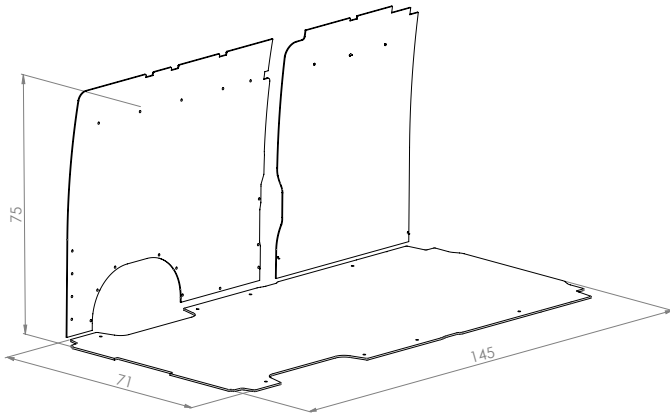


RAM MEASUREMENTS

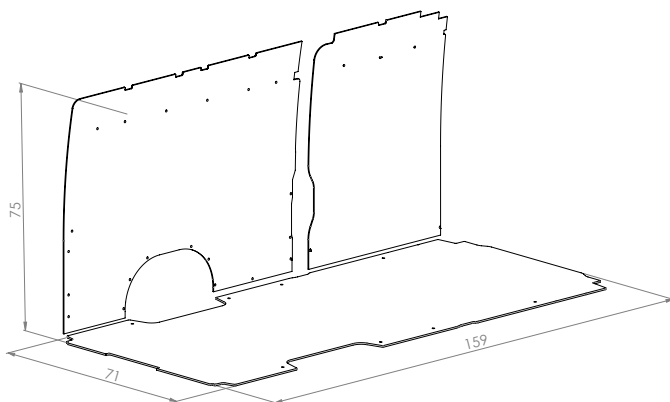
PROMASTER 136 WB HR



PROMASTER 159 WB HR



PROMASTER 159 EXT WB HR



MERCEDES

VEHICLES



MERCEDES MEASUREMENTS

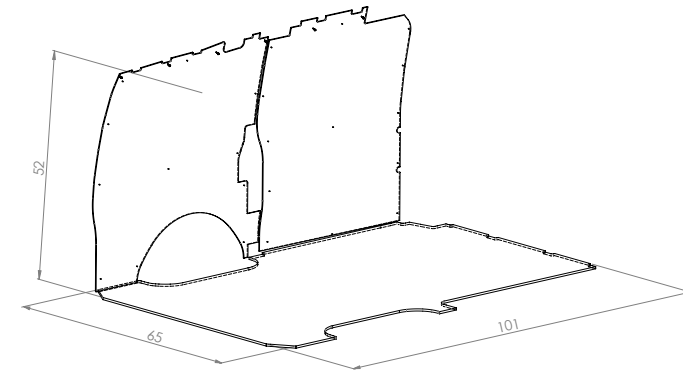


MERCEDES METRIS RWB
MERCEDES METRIS EWB
SPRINTER 144 WB LR
SPRINTER 144 WB HR
SPRINTER 170 WB
SPRINTER 170 EXT WB

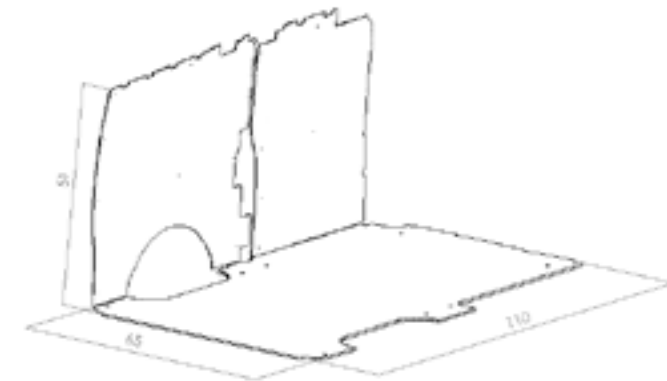
Mercedes-Benz



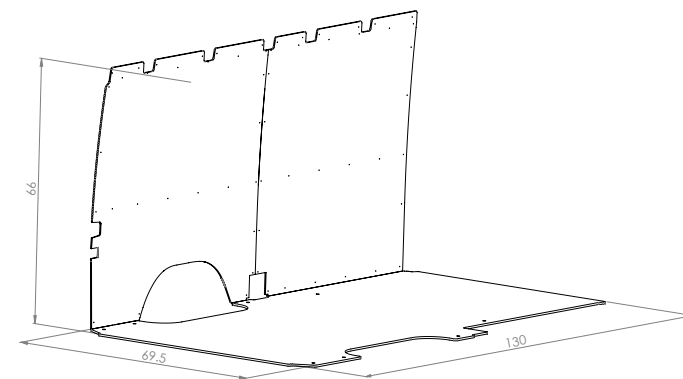
MERCEDES METRIS RWB



MERCEDES METRIS EWB

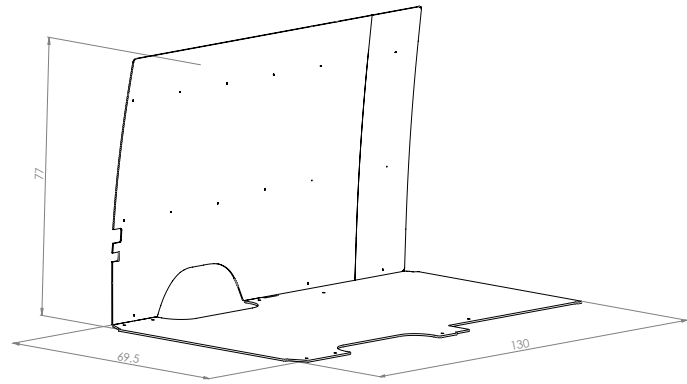


SPRINTER 144 WB LR

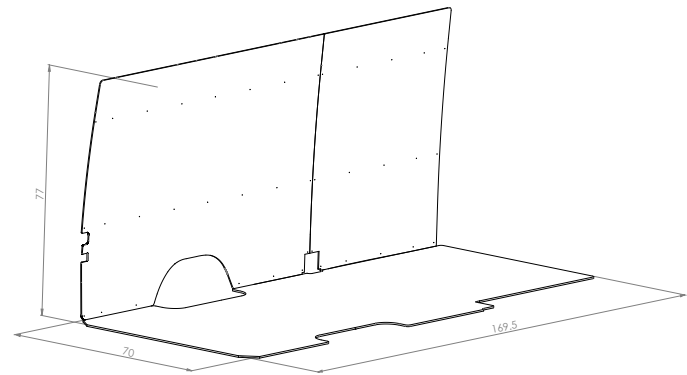


MERCEDES MEASUREMENTS

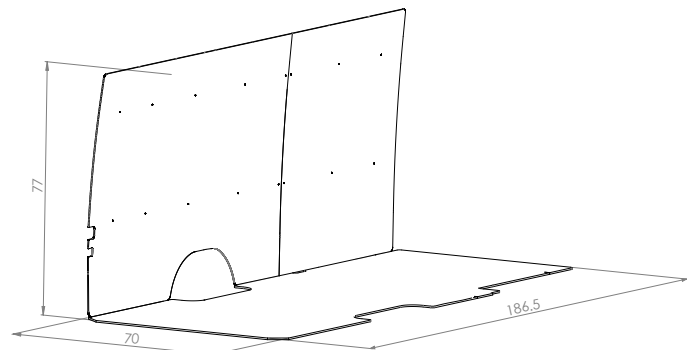
SPRINTER 144 WB HR



SPRINTER 170 WB



SPRINTER 170 EXT WB



NISSAN

VEHICLES



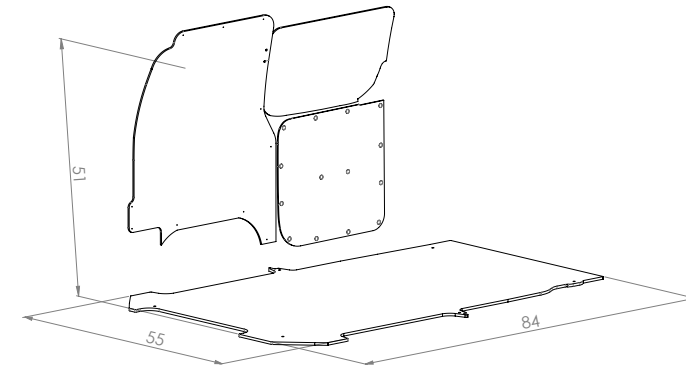
NISSAN MEASUREMENTS



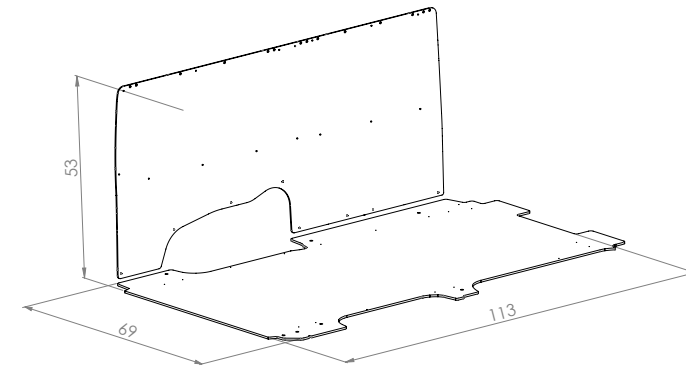
NV200
NISSAN NV CARGO LR
NISSAN NV CARGO HR



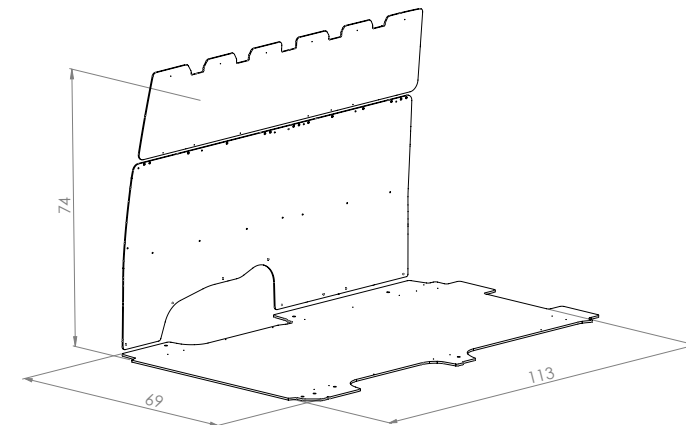
NV200



NISSAN NV CARGO LR



NISSAN NV CARGO HR



CHEVROLET

VEHICLES



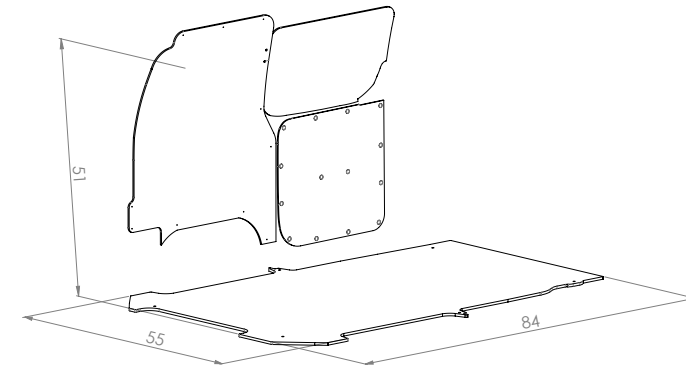
GMC MEASUREMENTS



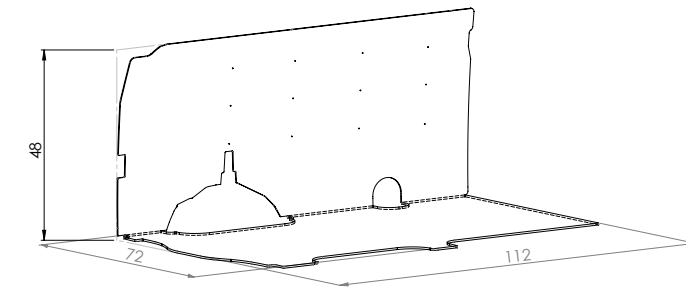
CHEVY CITY EXPRESS
GMC SAVANA RWB/CHEVROLET EXPRESS RWB
GMC SAVANA EWB/CHEVROLET EXPRESS EWB



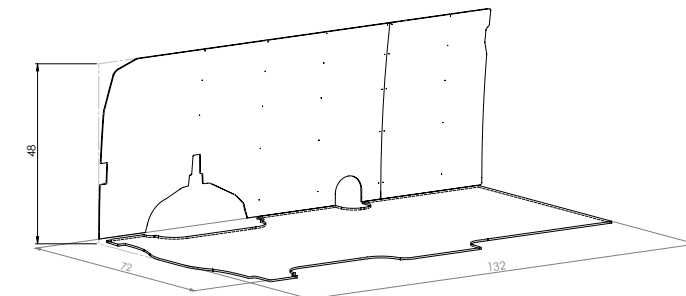
CHEVY CITY EXPRESS



GMC SAVANA RWB



GMC SAVANA EWB



COMPLETE

KITS INCLUDE:

RIGID FLOOR + SILL PLATE SET
INSULATED DURATHERM DOOR LINERS
INSULATED DURATHERM WALL LINERS
INSULATED DURATHERM CEILING LINERS
WHEEL WELL COVERS *(Transit, ProMaster, Sprinter only)*

Dealer Note:

Complete Kits will no longer be as a part number set. This is to help your warehouse with managing inventory more easily, with no missing parts. When a PO includes all five products required for a Complete Kit (above) a standard rebate will be added to the PO for the Complete Kit discount. Free shipping still applies.



STABILIGRIP

THE ULTIMATE RIGID FLOOR




INDUSTRY LEADING // USED IN SOME OF THE LARGEST NA FLEETS

The industry's only dimensionally-stable rigid floor, StabiliGrip has proved itself as a leader in cargo van floor protection and operator safety. Its fine grip gives it the ability to slide material and still provide an extreme anti-slip surface, making it unbeatably versatile. Due to its wide-ranging properties, this rigid floor allows operators of fleets of all vocations to perform their duties safely and efficiently.

- FINE GRIP MAKES FOR ALL-PURPOSE RIGID FLOOR
- WILL NOT WARP IN EXTREME TEMPERATURES
- IMPACT / PUNCTURE RESISTANT
- CHEMICAL / MOISTURE RESISTANT
- DECREASES ROAD NOISE
- SAFE, EFFICIENT, FLAT WORK-SURFACE
- EASY TO CLEAN
- MEETS FMVSS 302
- PROFESSIONAL BRAND IMAGE

STABILIGRIP SPECIFICATIONS

VEHICLE MAKE	PART #	PCS	WEIGHT	INSTALL	RETAIL
					
Transit Connect (105") SWB	711-135-6441	1 pc	41 lbs	10 mins	USD \$688.20
Transit Connect (121") LWB	721-135-6541 721-135-6441	1 pc 2 pc	50 lbs 50 lbs	15 mins 10 mins	USD \$747.76 USD \$747.76
Transit 130" WB	731-135-6441	2 pc	114 lbs	20 mins	USD \$882.49
Transit 148" WB	741-135-6441	3 pc	122 lbs	30 mins	USD \$1,037.39
Transit 148" Extended WB	751-135-6441	3 pc	142 lbs	30 mins	USD \$1,146.72




Mercedes Metris (126") RWB	151-135-6441	2 pc	108 lbs	20 mins	USD \$779.18
Mercedes Metris (135") EWB	111-135-6441	2 pc	115 lbs	20 mins	USD \$779.18
Sprinter 144" WB	121-135-6441	3 pc	121 lbs	20 mins	USD \$817.46
Sprinter 170" Standard WB	131-135-6441	3 pc	151 lbs	20 mins	USD \$1,062.41
Sprinter 170" Extended WB	141-135-6441	4 pc	168 lbs	25 mins	USD \$1,116.41



Chevy City Express (115") WB	361-135-6441 361-135-6541	2 pc 1 pc	52 lbs 52 lbs	15 mins 10 mins	USD \$599.93 USD \$599.93
GMC Savana/ Chevy Express Regular (135") WB	311-135-6441	2 pc	105 lbs	20 mins	USD \$802.65
GMC Savana/ Chevy Express Extended (155") WB	321-135-6441	3 pc	114 lbs	20 mins	USD \$925.35

ALL FLOORS INCLUDE SIDE AND REAR ALUMINIUM SILL PLATES

VEHICLE MAKE	PART #	PCS	WEIGHT	INSTALL	RETAIL
					
C/V Tradesman (119" WB)*	612-135-6541 612-135-6441	1 pc 2 pc	45 lbs 45 lbs	15 mins 10 mins	USD \$607.77 USD \$607.77
Promaster City (122" WB)	671-135-6541 671-135-6441	1 pc 2 pc	82 lbs 82 lbs	20 mins 15 mins	USD \$766.42 USD \$766.42
Promaster 118" WB	621-135-6441	2 pc	94 lbs	20 mins	USD \$711.25
Promaster 136" WB	631-135-6441	2 pc	105 lbs	20 mins	USD \$779.18
Promaster 159" WB	641-135-6441	3 pc	135 lbs	25 mins	USD \$934.27
Promaster 159" Extended WB	651-135-6441	3 pc	148 lbs	25 mins	USD \$1,042.60



NV 200 (115" WB)	531-135-6541 531-135-6441	1 pc 2 pc	52 lbs 52 lbs	15 mins 10 mins	USD \$599.93 USD \$599.93
NV Cargo (140" WB)	511-135-6441	2 pc	112 lbs	20 mins	USD \$744.10

Floor info: pcs, weight, and install time doesn't include the sill set. Refer to page 54 for sill set information.

*There are currently no sills available for C/V Tradesman

Additional Product Extensions

- .1 dual rear wheels
- .2 dual sliding doors
- .4 w/ OEM door scuff plates
- .5 dual rear wheels and dual sliding wheels

ULTRAGRIP

GRIPPY COMPOSITE FLOOR




UltraGrip offers an extremely grippy surface for cargo van applications, which creates a reliable surface for operators to work in. Due to being a high density plastic, this floor does have a high expansion and contraction rate; care needs to be taken when mounting product over top of this floor.

- RIGID HDPE PLASTIC FLOOR FOR DURABILITY
- IMPACT / PUNCTURE RESISTANT
- UNIQUE RUBBERIZED SURFACE FOR SAFETY
- MAINTENANCE FREE
- SAFE, EFFICIENT WORK-SURFACE
- EXTREME ANTI-SLIP

ULTRAGRIP SPECIFICATIONS

ALL FLOORS INCLUDE SIDE AND REAR ALUMINIUM SILL PLATES


VEHICLE MAKE	PART #	PCS	WEIGHT	INSTALL	RETAIL	
	Transit Connect (105") SWB	711-162-6441	1 pc	41 lbs	15 mins	USD \$860.25
	Transit Connect (121") LWB	721-162-6441	2 pc	50 lbs	15 mins	USD \$934.70
		721-162-6541	1 pc	50 lbs	10 mins	USD \$934.70
	Transit 130" WB	731-162-6441	2 pc	114 lbs	20 mins	USD \$1,103.11
		731-162-6641	1 pc	114 lbs	15 mins	USD \$1,103.11
Transit 148" WB	741-162-6441	3 pc	122 lbs	20 mins	USD \$1,296.74	
	741-162-6641	2 pc	122 lbs	20 mins	USD \$1,296.74	
Transit 148" Extended WB	751-162-6441	3 pc	142 lbs	25 mins	USD \$1,433.40	
	751-162-6641	2 pc	142 lbs	25 mins	USD \$1,433.40	


Mercedes-Benz

Mercedes Metris (126") RWB	151-162-6441	2 pc	108 lbs	20 mins	USD \$973.98
	151-162-6641	1 pc	108 lbs	15 mins	USD \$973.98
Mercedes Metris (135") EWB	111-162-6441	2 pc	110 lbs	20 mins	USD \$973.98
	111-162-6641	1 pc	110 lbs	15 mins	USD \$973.98
Sprinter 144" WB	121-162-6441	3 pc	121 lbs	20 mins	USD \$1,021.83
	121-162-6641	2 pc	121 lbs	20 mins	USD \$1,021.83
Sprinter 170" Standard WB	131-162-6441	3 pc	151 lbs	20 mins	USD \$1,328.01
	131-162-6641	2 pc	151 lbs	20 mins	USD \$1,328.01
Sprinter 170" Extended WB	141-162-6441	4 pc	168 lbs	25 mins	USD \$1,395.51
	141-162-6641	2 pc	168 lbs	25 mins	USD \$1,395.51


NISSAN

NV 200 (115" WB)	531-162-6441	2 pc	52 lbs	15 mins	USD \$749.91
	531-162-6641	1 pc	52 lbs	10 mins	USD \$749.91
NV Cargo (140" WB)	511-162-6441	2 pc	112 lbs	20 mins	USD \$930.13
	511-162-6541	1 pc	112 lbs	15 mins	USD \$930.13

VEHICLE MAKE	PART #	PCS	WEIGHT	INSTALL	RETAIL	
	C/V Tradesman	612-162-6441	2 pc	90 lbs	20 mins	USD \$759.71
	C/V Tradesman	612-162-6541	1 pc	90 lbs	15 mins	USD \$759.71
		612-162-6541	1 pc	90 lbs	15 mins	USD \$759.71
	Promaster City (122" WB)	671-162-6441	2 pc	82 lbs	20 mins	USD \$958.03
		671-162-6541	1 pc	82 lbs	15 mins	USD \$958.03
Promaster 118" WB	621-162-6441	2 pc	94 lbs	20 mins	USD \$889.06	
	621-162-6641	1 pc	94 lbs	15 mins	USD \$889.06	
Promaster 136" WB	631-162-6441	2 pc	105 lbs	20 mins	USD \$973.98	
	631-162-6641	1 pc	105 lbs	15 mins	USD \$973.98	
Promaster 159" WB	641-162-6441	3 pc	135 lbs	25 mins	USD \$1,167.84	
	641-162-6641	2 pc	135 lbs	25 mins	USD \$1,167.84	
Promaster 159" Extended WB	651-162-6441	3 pc	148 lbs	25 mins	USD \$1,303.25	
	651-162-6641	2 pc	148 lbs	25 mins	USD \$1,303.25	


GMC

Chevy City Express (115") WB	361-162-6441	2 pc	52 lbs	15 mins	USD \$749.91
	361-162-6541	1 pc	52 lbs	10 mins	USD \$749.91
GMC Savana/ Chevy Express Regular (135") WB	311-162-6441	2 pc	105 lbs	20 mins	USD \$1,003.31
	311-162-6641	1 pc	105 lbs	15 mins	USD \$1,003.31
GMC Savana/ Chevy Express Extended (155") WB	321-162-6441	3 pc	114 lbs	20 mins	USD \$1,156.69
	321-162-6641	2 pc	114 lbs	20 mins	USD \$1,156.69

Floor info: pcs, weight, and install time doesn't include the sill set. Refer to page 54 for sill set information.

*There are currently no sills available for C/V Tradesman

Additional Product Extensions

- .1 dual rear wheels
- .2 dual sliding doors
- .4 w/ OEM door scuff plates
- .5 dual rear wheels and dual sliding doors

ULTRAFLOOR

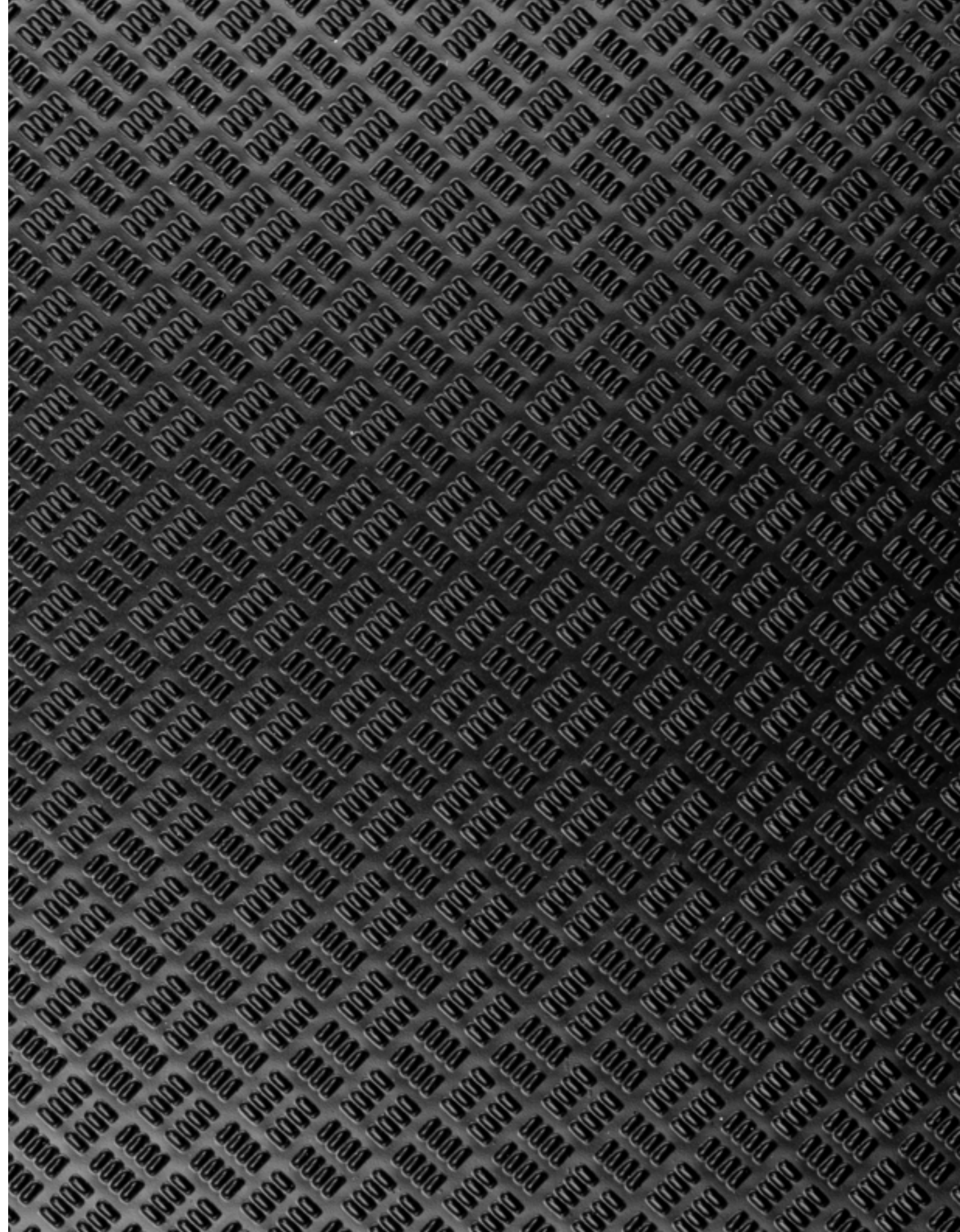
RIGID FLOOR FOR LOADING CARGO




This durable rigid floor is excellent for loading and unloading heavy cargo due to its slippery texture*.

*Operators should take caution when walking on the floor.

- RIGID HDPE PLASTIC FLOOR FOR DURABILITY
- NON-POROUS PLASTIC - RESISTS STAINS AND MOLD
- IDEAL FOR LOADING PALLETS AND CARGO - RIDGES ALLOW EASY SLIDES
- MAINTENANCE-FREE



ULTRAFLOOR SPECIFICATIONS

VEHICLE MAKE	PART #	PCS	WEIGHT	INSTALL	RETAIL	
	Transit Connect (105") SWB	711-061-6441	1 pc	39 lbs	10 mins	USD \$860.25
	Transit Connect (121") LWB	721-061-6441	2 pc	48 lbs	15 mins	USD \$934.70
		721-061-6541	1 pc	48 lbs	10 mins	USD \$934.70
	Transit 130" WB	731-061-6441	2 pc	108 lbs	20 mins	USD \$1,103.11
		731-061-6641	1 pc	108 lbs	20 mins	USD \$1,103.11
	Transit 148" WB	741-061-6441	3 pc	116 lbs	20 mins	USD \$1,296.74
741-061-6641		2 pc	116 lbs	20 mins	USD \$1,296.74	
Transit 148" Extended WB	751-061-6441	3 pc	135 lbs	25 mins	USD \$1,433.40	
	751-061-6641	2 pc	135 lbs	25 mins	USD \$1,433.40	




Mercedes Metris (126") RWB	151-061-6441	2 pc	103 lbs	20 mins	USD \$973.98
	151-061-6641	1 pc	103 lbs	15 mins	USD \$973.98
Mercedes Metris (135") EWB	111-061-6441	2 pc	110 lbs	20 mins	USD \$973.98
	111-061-6641	1 pc	110 lbs	15 mins	USD \$973.98
Sprinter 144" WB	121-061-6441	3 pc	115 lbs	20 mins	USD \$1,021.83
	121-061-6641	2 pc	115 lbs	20 mins	USD \$1,021.83
Sprinter 170" Standard WB	131-061-6441	3 pc	143 lbs	20 mins	USD \$1,328.01
	131-061-6641	2 pc	143 lbs	20 mins	USD \$1,328.01
Sprinter 170" Extended WB	141-061-6441	4 pc	160 lbs	25 mins	USD \$1,395.51
	141-061-6641	2 pc	160 lbs	25 mins	USD \$1,395.51



NV 200 (115" WB)	531-061-6441	2 pc	49 lbs	15 mins	USD \$749.91
	531-061-6541	1 pc	49 lbs	10 mins	USD \$749.91
NV Cargo (140" WB)	511-061-6441	2 pc	106 lbs	20 mins	USD \$930.13
	511-061-6641	1 pc	106 lbs	15 mins	USD \$930.13

ALL FLOORS INCLUDE SIDE AND REAR ALUMINIUM SILL PLATES

VEHICLE MAKE	PART #	PCS	WEIGHT	INSTALL	RETAIL	
	C/V Tradesman* (119" WB)	612-061-6441	2 pc	90 lbs	20 mins	USD \$759.71
		612-061-6541	1 pc	90 lbs	20 mins	USD \$759.71
Promaster City (122" WB)	671-061-6441	2 pc	78 lbs	20 mins	USD \$958.03	
	671-061-6541	1 pc	78 lbs	20 mins	USD \$958.03	
Promaster 118" WB	621-061-6441	2 pc	89 lbs	20 mins	USD \$889.06	
	621-061-6641	1 pc	89 lbs	20 mins	USD \$889.06	
Promaster 136" WB	631-061-6441	2 pc	100 lbs	20 mins	USD \$973.98	
	631-061-6641	1 pc	100 lbs	20 mins	USD \$973.98	
Promaster 159" WB	641-061-6441	3 pc	128 lbs	25 mins	USD \$1,167.84	
	641-061-6641	2 pc	128 lbs	25 mins	USD \$1,167.84	
Promaster 159" Extended WB	651-061-6441	3 pc	141 lbs	25 mins	USD \$1,303.25	
	651-061-6641	2 pc	141 lbs	25 mins	USD \$1,303.25	



Chevy City Express (115") WB	361-061-6441	2 pc	49 lbs	15 mins	USD \$749.91
	361-061-6541	1 pc	49 lbs	10 mins	USD \$749.91
GMC Savana/ Chevy Express Regular (135") WB	311-061-6441	2 pc	100 lbs	20 mins	USD \$1,003.31
	311-061-6641	1 pc	100 lbs	15 mins	USD \$1,003.31
GMC Savana/ Chevy Express Extended (155") WB	321-061-6441	3 pc	108 lbs	20 mins	USD \$1,156.69
	321-061-6641	2 pc	108 lbs	20 mins	USD \$1,156.69

Floor info: pcs, weight, and install time doesn't include the sill set. Refer to page 54 for sill set information.

*There are currently no sills available for C/V Tradesman

Additional Product Extensions

- .1 dual rear wheels
- .2 dual sliding doors
- .4 w/ OEM door scuff plates
- .5 dual rear wheels and dual sliding doors

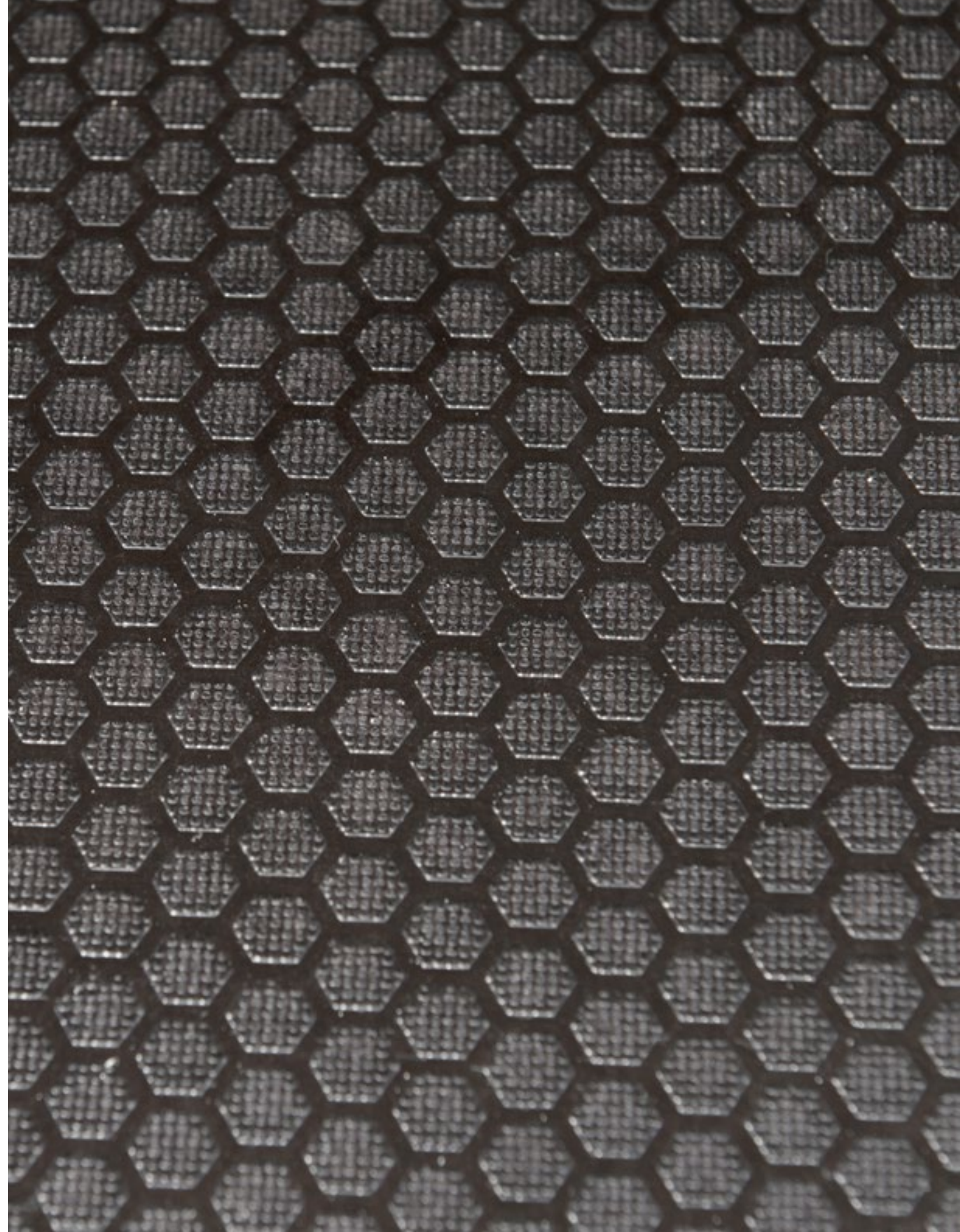
KK - PLUS

PLYWOOD RIGID FLOORING




With a high-quality 9-ply core, this birch plywood floor is extremely durable. Unlike other cheaper wood floors on the market, this rigid floor is reliable, long-lasting, and built for wear and tear.

- 9-PLY BIRCH PLYWOOD; EXTREMELY RIGID
- WEAR-RESISTANT PHENOLIC RESIN COATING
- TEXTURED SURFACE FOR TRACTION AND SAFETY
- VERY STABLE - LOW EXPANSION AND CONTRACTION



KK-PLUS SPECIFICATIONS

ALL FLOORS INCLUDE SIDE AND REAR ALUMINIUM SILL PLATES


VEHICLE MAKE	PART #	PCS	WEIGHT	INSTALL	RETAIL
					
Transit Connect (105") SWB	711-112-4442	1 pc	40 lbs	10 mins	USD \$688.20
Transit Connect (121") LWB	721-112-4442	2 pc	49 lbs	15 mins	USD \$747.76
	721-112-4542	1 pc	49 lbs	10 mins	USD \$747.76
Transit 130" WB	731-112-4442	2 pc	111 lbs	20 mins	USD \$882.49
	731-112-4642	1 pc	111 lbs	15 mins	USD \$882.49
Transit 148" WB	741-112-4442	3 pc	119 lbs	20 mins	USD \$1,037.39
	741-112-4642	2 pc	119 lbs	20 mins	USD \$1,037.39
Transit 148" Extended WB	751-112-4442	3 pc	138 lbs	25 mins	USD \$1,146.72
	751-112-4642	2 pc	138 lbs	25 mins	USD \$1,146.72



Mercedes Metris (126") RWB	151-112-4442	2 pc	105 lbs	20 mins	USD \$779.18
	151-112-4642	1 pc	105 lbs	15 mins	USD \$779.18
Mercedes Metris (135") EWB	111-112-4442	2 pc	110 lbs	20 mins	USD \$779.18
	111-112-4642	1 pc	110 lbs	15 mins	USD \$779.18
Sprinter 144" WB	121-112-4442	3 pc	118 lbs	20 mins	USD \$817.46
	121-112-4642	2 pc	118 lbs	20 mins	USD \$817.46
Sprinter 170" Standard WB	131-112-4442	3 pc	147 lbs	20 mins	USD \$1,062.41
	131-112-4642	2 pc	147 lbs	20 mins	USD \$1,062.41
Sprinter 170" Extended WB	141-112-4442	4 pc	164 lbs	25 mins	USD \$1,116.41
	141-112-4642	2 pc	164 lbs	25 mins	USD \$1,116.41



NV 200 (115" WB)	531-112-4442	2 pc	51 lbs	15 mins	USD \$599.93
	531-112-4542	1 pc	51 lbs	10 mins	USD \$599.93
NV Cargo (140" WB)	511-112-4442	2 pc	109 lbs	20 mins	USD \$744.10
	511-112-4642	1 pc	109 lbs	15 mins	USD \$744.10

VEHICLE MAKE	PART #	PCS	WEIGHT	INSTALL	RETAIL
					
C/V Tradesman* (119" WB)	612-112-4442	2 pc	82 lbs	20 mins	USD \$607.77
	612-112-4542	1 pc	82 lbs	15 mins	USD \$607.77
Promaster City (122" WB)	671-112-4442	2 pc	80 lbs	20 mins	USD \$766.42
	671-112-4542	1 pc	80 lbs	15 mins	USD \$766.42
Promaster 118" WB	621-112-4442	2 pc	92 lbs	20 mins	USD \$711.25
	621-112-4542	1 pc	92 lbs	15 mins	USD \$711.25
Promaster 136" WB	631-112-4442	2 pc	102 lbs	20 mins	USD \$779.19
	631-112-4642	1 pc	102 lbs	15 mins	USD \$779.19
Promaster 159" WB	641-112-4442	3 pc	131 lbs	25 mins	USD \$934.27
	641-112-4642	2 pc	131 lbs	25 mins	USD \$934.27
Promaster 159" Extended WB	651-112-4442	3 pc	144 lbs	25 mins	USD \$1,042.60
	651-112-4642	2 pc	144 lbs	25 mins	USD \$1,042.60



Chevy City Express (115") WB	361-112-4442	2 pc	51 lbs	15 mins	USD \$599.93
	361-112-4542	1 pc	51 lbs	10 mins	USD \$599.93
GMC Savana/ Chevy Express Regular (135") WB	311-112-4442	2 pc	102 lbs	20 mins	USD \$802.65
	311-112-4642	1 pc	102 lbs	15 mins	USD \$802.65
GMC Savana/ Chevy Express Extended (155") WB	321-112-4442	3 pc	111 lbs	20 mins	USD \$925.35
	321-112-4642	2 pc	111 lbs	20 mins	USD \$925.35

Floor info: pcs, weight, and install time doesn't include the sill set. Refer to page 54 for sill set information.

*There are currently no sills available for C/V Tradesman

Additional Product Extensions

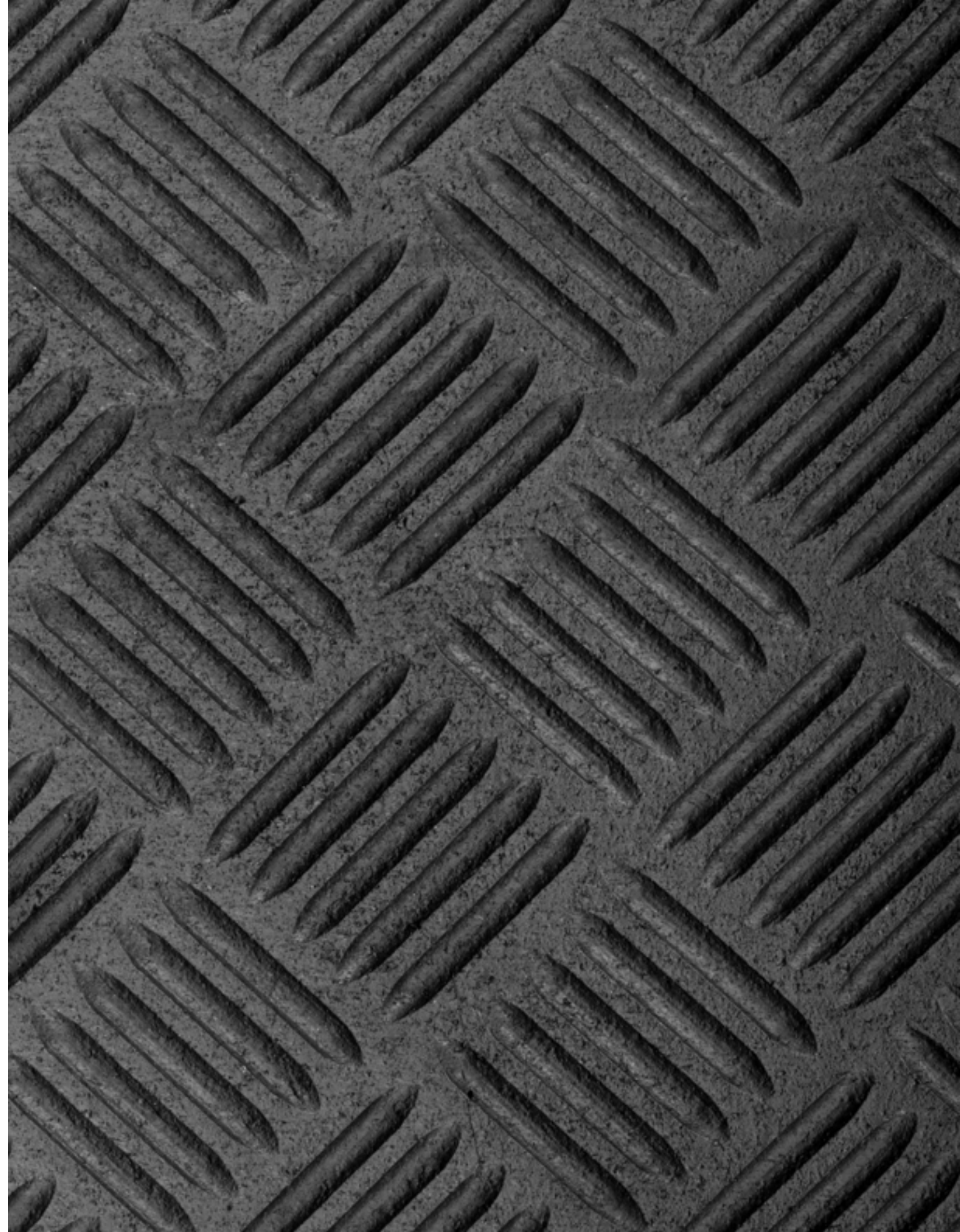
- .1 dual rear wheels
- .2 dual sliding doors
- .4 w/ OEM door scuff plates
- .5 dual rear wheels and dual sliding doors

AUTOMAT-BAR


ALL-PURPOSE RUBBER MAT



- INCREDIBLE TRACTION FOR ANTI-SLIP
- HEAVY DUTY INDUSTRIAL STRENGTH
- ONE PIECE MAT; NO JOINTS
- 1/4" THICK VIRGIN RUBBER COMPOUND WITH CHECKER-PLATE BAR TOP SURFACE
- TEAR RESISTANT
- CHEMICAL/MOISTURE RESISTANT
- VIRTUALLY ODOUR-FREE
- EASY TO CLEAN



AUTOMAT-BAR SPECIFICATIONS

VEHICLE MAKE	PART #	PCS	WEIGHT	INSTALL	RETAIL
					
Transit Connect (105") SWB	711-043-7521	1 pc	26 lbs	8 mins	USD \$324.07
Transit Connect (121") LWB	721-043-7521	1 pc	34 lbs	8 mins	USD \$341.21
Transit 130" WB	731-043-7621	1 pc	56 lbs	10 mins	USD \$542.32
Transit 148" WB	741-043-7321	1 pc	66 lbs	10 mins	USD \$573.59
Transit 148" Extended WB	751-043-7021	1 pc	83 lbs	10 mins	USD \$622.00



Mercedes-Benz

Mercedes Metris (126") RWB	151-043-7621	1 pc	67 lbs	15 mins	USD \$438.20
Mercedes Metris (135") EWB	111-043-7621	1 pc	70 lbs	15 mins	USD \$438.20
Sprinter 144" WB	121-043-7021	1 pc	66 lbs	10 mins	USD \$456.50
Sprinter 170" Standard WB	131-043-7021	1 pc	90 lbs	12 mins	USD \$522.10
Sprinter 170" Extended WB	141-043-7021	1 pc	100 lbs	15 mins	USD \$536.61


Additional Product Extensions

.2 Partition Storage and Dual Sliding Doors



Chevy City Express (115") WB	361-043-7521	1 pc	31 lbs	10 mins	USD \$289.33
GMC Savana/ Chevy Express Regular (135") WB	311-043-7621	1 pc	56 lbs	10 mins	USD \$463.50
GMC Savana/ Chevy Express Extended (155") WB	321-043-7321	1 pc	68 lbs	10 mins	USD \$497.50

ALL FLOORS INCLUDE SIDE AND REAR ALUMINIUM SILL PLATES

VEHICLE MAKE	PART #	PCS	WEIGHT	INSTALL	RETAIL
					
C/V Tradesman* (119" WB)	612-043-7521	1 pc	36 lbs	10 mins	USD \$359.37
Promaster City (122" WB)	671-043-7521	1 pc	34 lbs	10 mins	USD \$289.24
Promaster 118" WB	621-043-7621	1 pc	56 lbs	15 mins	USD \$414.91
Promaster 136" WB	631-043-7621	1 pc	67 lbs	15 mins	USD \$438.20
Promaster 159" WB	641-043-7321	1 pc	81 lbs	20 mins	USD \$469.91
Promaster 159" Extended WB	651-043-7021	1 pc	85 lbs	20 mins	USD \$517.88



NV 200 (115" WB)	531-043-7621	1 pc	31 lbs	20 mins	USD \$289.33
NV Cargo (140" WB)	511-043-7621	1 pc	58 lbs	20 mins	USD \$399.60

Additional Product Extensions

- .1 dual rear wheels
- .2 dual sliding doors
- .4 w/ OEM door scuff plates (Ford Transit)
- .5 dual rear wheels and dual sliding doors

Floor info: pcs, weight, and install time doesn't include the sill set. Refer to page 54 for sill set information.

*C/V Tradesman doesn't offer sills.

ARMORMAT


HEAVY-DUTY RUBBER MAT



- INCREDIBLE TRACTION/ANTI-SLIP
- SUITABLE FOR WET OR OILY APPLICATIONS
- EXTREMELY HEAVY DUTY
- TREAD PLATE FINISH FOR AGGRESSIVE TRACTION
- CHEMICAL/MOISTURE RESISTANT



ARMORMAT SPECIFICATIONS

VEHICLE MAKE	PART #	PCS	WEIGHT	INSTALL	RETAIL
					
Transit Connect (105") SWB	711-111-7521	1 pc	26 lbs	15 mins	USD \$486.11
Transit Connect (121") LWB	721-111-7521	1 pc	37 lbs	15 mins	USD \$511.82
Transit 130" WB	731-111-7521	2 pc	62 lbs	20 mins	USD \$813.48
Transit 148" WB	741-111-7521	3 pc	73 lbs	20 mins	USD \$860.39
Transit 148" Extended WB	751-111-7521	3 pc	90 lbs	25 mins	USD \$933.00




Mercedes Metris (126") RWB	151-111-7521	1 pc	67 lbs	15 mins	USD \$657.30
Mercedes Metris (135") EWB	111-111-7521	1 pc	70 lbs	15 mins	USD \$657.30
Sprinter 144" WB	121-111-7521	1 pc	66 lbs	10 mins	USD \$684.75
Sprinter 170" Standard WB	131-111-7521	1 pc	90 lbs	12 mins	USD \$783.15
Sprinter 170" Extended WB	141-111-7521	1 pc	100 lbs	15 mins	USD \$804.92



Chevy City Express (115") WB	361-111-7521	1 pc	42 lbs	15 mins	USD \$433.50
GMC Savana/ Chevy Express Regular (135") WB	311-111-7521	1 pc	62 lbs	20 mins	USD \$695.25
GMC Savana/ Chevy Express Extended (155") WB	321-111-7521	1 pc	106 lbs	20 mins	USD \$746.25

ALL FLOORS INCLUDE SIDE AND REAR ALUMINIUM SILL PLATES

VEHICLE MAKE	PART #	PCS	WEIGHT	INSTALL	RETAIL
					
C/V Tradesman* (119" WB)	612-111-7521	1 pc	36 lbs	10 mins	USD \$330.84
Promaster City (122" WB)	671-111-7521	1 pc	34 lbs	10 mins	USD \$433.86
Promaster 118" WB	621-111-7521	1 pc	56 lbs	15 mins	USD \$622.37
Promaster 136" WB	631-111-7521	1 pc	67 lbs	15 mins	USD \$657.30
Promaster 159" WB	641-111-7521	1 pc	81 lbs	20 mins	USD \$704.87
Promaster 159" Extended WB	651-111-7521	1 pc	85 lbs	20 mins	USD \$776.82



NV 200 (115" WB)	531-111-7521	1 pc	31 lbs	20 mins	USD \$434.00
NV Cargo (140" WB)	511-111-7521	1 pc	58 lbs	20 mins	USD \$599.40

Floor info: pcs, weight, and install time doesn't include the sill set. Refer to page 54 for sill set information.

*C/V Tradesman doesn't offer sills.

Additional Product Extensions

- .1 dual rear wheels
- .2 dual sliding doors
- .4 w/ OEM door scuff plates
- .5 dual rear wheels and dual sliding doors

DURATHERM

INSULATED WALL LINERS




These industry-leading wall liners are highly durable, impact resistant, and will protect cargo van panels from the harshest wear and tear. These liners' insulation deadens sound significantly to enhance operator workspaces, while creating a thermal barrier to control temperatures. These competitively priced wall liners provide superb side panel protection to increase the lifespan and resale value of the vehicle.

- SOUND DEADENING
- IMPACT / PUNCTURE RESISTANT
- LIGHTWEIGHT & EASY TO INSTALL
- PRECISION CUT
- THERMAL BARRIER - LAYER OF INSULATION
- PROFESSIONAL BRAND IMAGE
- AVAILABLE IN WHITE AND GREY




WALL LINER SPECIFICATIONS

VEHICLE MAKE	PART #	COLOUR	WEIGHT	INSTALL	RETAIL	
	Transit Connect (105") SWB	714-114-2613 714-114-2614	Grey White	18 lbs 18 lbs	30 mins 30 mins	USD \$400.26 USD \$400.26
	Transit Connect (121") LWB	724-114-2613 724-114-2614	Grey White	18 lbs 18 lbs	30 mins 30 mins	USD \$475.37 USD \$475.37
	Transit 130" WB Low Roof	734-114-2613.LR 734-114-2614.LR	Grey White	28 lbs 28 lbs	45 mins 45 mins	USD \$1,063.11 USD \$1,063.11
	Transit 130" WB Mid Roof	734-114-2613.MR 734-114-2614.MR	Grey White	30 lbs 30 lbs	45 mins 45 mins	USD \$1,063.11 USD \$1,063.11
	Transit 148" WB Low Roof	744-114-2613.LR 744-114-2614.LR	Grey White	32 lbs 32 lbs	45 mins 45 mins	USD \$1,218.84 USD \$1,218.84
	Transit 148" WB Mid Roof	744-114-2613.MR 744-114-2614.MR	Grey White	36 lbs 36 lbs	75 mins 75 mins	USD \$1,218.84 USD \$1,218.84
	Transit 148" WB High Roof	744-114-2613.HR 744-114-2614.HR	Grey White	38 lbs 38 lbs	75 mins 75 mins	USD \$1,218.84 USD \$1,218.84
	Transit 148" Extended WB	754-114-2613 754-114-2614	Grey White	44 lbs 44 lbs	80 mins 80 mins	USD \$1,377.22 USD \$1,377.22



Mercedes-Benz

Mercedes Metris (126") RWB	154-114-2613 154-114-2614	Grey White	25 lbs 25 lbs	35 mins 35 mins	USD \$1,064.40 USD \$1,064.40
Mercedes Metris (135") EWB	114-114-2613 114-114-2614	Grey White	28 lbs 28 lbs	35 mins 35 mins	USD \$1,064.40 USD \$1,064.40
Sprinter 144" WB Low Roof	124-114-2613.LR 124-114-2614.LR	Grey White	30 lbs 30 lbs	45 mins 45 mins	USD \$1,158.19 USD \$1,158.19
Sprinter 144" WB High Roof	124-114-2613.HR 124-114-2614.HR	Grey White	36 lbs 36 lbs	60 mins 60 mins	USD \$1,158.19 USD \$1,158.19
Sprinter 170" WB	134-114-2613 134-114-2614	Grey White	46 lbs 46 lbs	75 mins 75 mins	USD \$1,408.48 USD \$1,408.48
Sprinter 170" Extended WB	144-114-2613 144-114-2614	Grey White	52 lbs 52 lbs	90 mins 90 mins	USD \$1,590.82 USD \$1,590.82

VEHICLE MAKE	PART #	COLOUR	WEIGHT	INSTALL	RETAIL	
	Promaster City (122" WB)	674-114-2613 674-114-2614	Grey White	25 lbs 25 lbs	45 min 45 min	USD \$601.98 USD \$601.98
	Promaster 118" WB	624-114-2613 624-114-2614	Grey White	30 lbs 30 lbs	60 min 60 min	USD \$802.56 USD \$802.56
	Promaster 136" WB Low Roof	634-114-2613.LR 634-114-2614.LR	Grey White	34 lbs 34 lbs	60 min 60 min	USD \$1,064.40 USD \$1,064.40
	Promaster 136" WB High Roof	634-114-2613.HR 634-114-2614.HR	Grey White	36 lbs 36 lbs	60 min 60 min	USD \$1,064.40 USD \$1,064.40
	Promaster 159" WB	644-114-2613 644-114-2614	Grey White	38 lbs 38 lbs	60 min 60 min	USD \$1,218.84 USD \$1,218.84
	Promaster 159" Extended WB	654-114-2613 654-114-2614	Grey White	42 lbs 42 lbs	60 min 60 min	USD \$1,377.22 USD \$1,377.22




NV 200 (115" WB)	534-114-2613 534-114-2614	Grey White	15 lbs 15 lbs	30 mins 30 mins	USD \$434.83 USD \$434.83
NV Cargo (140" WB) Low Roof	514-114-2613 514-114-2614	Grey White	25 lbs 25 lbs	60 mins 60 mins	USD \$1,210.74 USD \$1,210.74
NV Cargo (140" WB) High Roof	524-114-2613 524-114-2614	Grey White	30 lbs 30 lbs	60 mins 60 mins	USD \$1,210.74 USD \$1,210.74

Additional Product Info

Discard front driver-side panel when vehicle has dual doors.

WALL LINER SPECIFICATIONS

VEHICLE MAKE	PART #	COLOUR	WEIGHT	INSTALL	RETAIL
	Chevy City Express (115") WB	Grey	15 lbs	30 mins	USD \$434.83
		White	14 lbs	30 mins	USD \$434.83
GMC Regular (135") WB	314-114-2613	Grey	25 lbs	60 mins	USD \$687.49
	314-114-2614	White	25 lbs	60 mins	USD \$687.49
GMC Extended (155") WB	324-114-2613	Grey	30 lbs	60 mins	USD \$950.98
	324-114-2614	White	30 lbs	60 mins	USD \$950.98



PROTECT YOUR INVESTMENT

DURATHERM

INSULATED CEILING LINERS




Ceiling Liners finish an interior protection package by creating a complete sound-deadening and thermal barrier. Without these there is no temperature control in cargo vans. Creating a finished professional appearance with the joining top sills also enhances your brand image, since the ceiling is highly visible from the exterior of the vehicle when doors are open.

- SOUND DEADENING
- IMPACT / PUNCTURE RESISTANT
- INCREASES RESALE VALUE
- PROTECTS INTERIOR
- THERMAL BARRIER
- JOINING ALUMINIUM TOP SILLS INCLUDED
- AVAILABLE IN WHITE AND GREY




CEILING LINER SPECIFICATIONS

VEHICLE MAKE	PART #	COLOUR	WEIGHT	INSTALL	RETAIL	
	Transit Connect (105") SWB	715-114-2613	Grey	18 lbs	30 mins	USD \$330.95
		715-114-2614	White	18 lbs	30 mins	USD \$330.95
Transit Connect (121") LWB	725-114-2613	Grey	18 lbs	45 mins	USD \$330.95	
	725-114-2614	White	18 lbs	45 mins	USD \$330.95	
Transit 130" WB Low Roof	735-114-2613.LR	Grey	28 lbs	60 mins	USD \$614.02	
	735-114-2614.LR	White	28 lbs	60 mins	USD \$614.02	
Transit 130" WB Mid Roof	735-114-2613.MR	Grey	30 lbs	60 mins	USD \$614.02	
	735-114-2614.MR	White	30 lbs	60 mins	USD \$614.02	
Transit 148" WB Low Roof	745-114-2613.LR	Grey	32 lbs	60 mins	USD \$695.41	
	745-114-2614.LR	White	32 lbs	60 mins	USD \$695.41	
Transit 148" WB Mid Roof	745-114-2613.MR	Grey	36 lbs	60 mins	USD \$695.41	
	745-114-2614.MR	White	36 lbs	60 mins	USD \$695.41	
Transit 148" WB High Roof	745-114-2613.HR	Grey	38 lbs	60 mins	USD \$695.41	
	745-114-2614.HR	White	38 lbs	60 mins	USD \$695.41	
Transit 148" Extended WB	755-114-2613	Grey	44 lbs	60 mins	USD \$787.41	
	755-114-2614	White	44 lbs	60 mins	USD \$787.64	



Mercedes-Benz

Mercedes Metris (126") RWB	155-114-2613	Grey	18 lbs	30 mins	USD \$614.77
	155-114-2614	White	18 lbs	30 mins	USD \$614.77
Mercedes Metris (135") EWB	115-114-2613	Grey	20 lbs	30 mins	USD \$614.77
	115-114-2614	White	20 lbs	30 mins	USD \$614.77
Sprinter 144" WB Low Roof	125-114-2613.LR	Grey	25 lbs	45 mins	USD \$749.90
	125-114-2614.LR	White	25 lbs	45 mins	USD \$749.90
Sprinter 144" WB High Roof	125-114-2613.HR	Grey	25 lbs	45 mins	USD \$749.90
	125-114-2614.HR	White	25 lbs	45 mins	USD \$749.90
Sprinter 170" WB	135-114-2613	Grey	28 lbs	60 mins	USD \$1,148.87
	135-114-2614	White	28 lbs	60 mins	USD \$1,148.87
Sprinter 170" Extended WB	145-114-2613	Grey	30 lbs	60 mins	USD \$1,201.77
	145-114-2614	White	30 lbs	60 mins	USD \$1,201.77

VEHICLE MAKE	PART #	COLOUR	WEIGHT	INSTALL	RETAIL	
	Promaster City (122" WB)	675-114-2613	Grey	25 lbs	30 mins	USD \$303.30
		675-114-2614	White	25 lbs	30 mins	USD \$303.30
Promaster 118" WB	625-114-2613	Grey	30 lbs	45 mins	USD \$605.97	
	625-114-2614	White	30 lbs	45 mins	USD \$605.97	
Promaster 136" WB Low Roof	635-114-2613.LR	Grey	34 lbs	45 mins	USD \$614.76	
	635-114-2614.LR	White	34 lbs	45 mins	USD \$614.76	
Promaster 136" WB High Roof	635-114-2613.HR	Grey	36 lbs	45 mins	USD \$614.76	
	635-114-2614.HR	White	36 lbs	45 mins	USD \$614.76	
Promaster 159" WB	645-114-2613	Grey	38 lbs	60 mins	USD \$814.63	
	645-114-2614	White	38 lbs	60 mins	USD \$814.63	
Promaster 159" Extended WB	655-114-2613	Grey	42 lbs	60 mins	USD \$1,086.27	
	655-114-2614	White	42 lbs	60 mins	USD \$1,086.27	



NV 200 (115" WB)	535-114-2613	Grey	15	30 mins	USD \$314.77
	535-114-2614	White	15	30 mins	USD \$314.77
NV Cargo (140" WB) Low Roof	515-114-2613	Grey	25	45 mins	USD \$641.38
	515-114-2614	White	25	45 mins	USD \$641.38
NV Cargo (140" WB) High Roof	525-114-2613	Grey	30	60 mins	USD \$641.38
	525-114-2614	White	30	60 mins	USD \$641.38

Additional Product Extensions

- .2 dual sliding doors
- .3 barn doors

CEILING LINER SPECIFICATIONS

VEHICLE MAKE PART # COLOUR WEIGHT INSTALL RETAIL



Chevy City Express (115") WB	365-114-2613	Grey	15 lbs	30 mins	USD \$314.77
	365-114-2614	White	15 lbs	30 mins	USD \$314.77
GMC Regular (135") WB	315-114-2613	Grey	25 lbs	45 mins	USD \$614.77
	315-114-2614	White	25 lbs	45 mins	USD \$614.77
GMC Extended (155") WB	325-114-2613	Grey	30 lbs	60 mins	USD \$695.41
	325-114-2614	Grey	30 lbs	60 mins	USD \$695.41

Additional Product Extensions

- .2 dual sliding doors
- .3 barn doors



**TAKING UPFITS
TO THE NEXT LEVEL**

DURATHERM

INSULATED DOOR LINERS




Insulated DuraTherm Door Liners add extra protection, insulation and sound-deadening in the vehicle. The door liners protect the sheet metal or the glass in the window cavities from moving objects inside the van that could potentially cause damage such as dents or broken windows.

- SOUND DEADENING
- SUPERIOR IMPACT / PUNCTURE RESISTANCE
- INCREASES RESALE VALUE
- PROTECTS VAN PANELS FROM DAMAGE
- THERMAL BARRIER TO CONTROL TEMPERATURE
- PRE-DRILLED FOR EASY INSTALL, INCLUDES PUSH-IN RIVETS
- AVAILABLE IN WHITE AND GREY



DOOR LINER SPECIFICATIONS

VEHICLE MAKE	PART #	COLOUR	WEIGHT	INSTALL	RETAIL	
	Transit Connect (105") SWB	713-114-2613	Grey	10 lbs	15 mins	USD \$208.98
		713-114-2614	White	10 lbs	15 mins	USD \$208.98
Transit Connect (121") LWB	723-114-2613	Grey	10 lbs	15 mins	USD \$208.98	
	723-114-2614	White	10 lbs	15 mins	USD \$208.98	
Transit Low Roof	703-114-2613.LR	Grey	10 lbs	15 mins	USD \$347.97	
	703-114-2614.LR	White	10 lbs	15 mins	USD \$347.97	
Transit Mid Roof	703-114-2613.MR	Grey	12 lbs	15 mins	USD \$347.97	
	703-114-2614.MR	White	12 lbs	15 mins	USD \$347.97	
Transit High Roof	703-114-2613.HR	Grey	12 lbs	15 mins	USD \$347.97	
	703-114-2614.HR	White	12 lbs	15 mins	USD \$347.97	




Mercedes-Benz

Mercedes Metris (126") RWB	153-114-2613	Grey	8 lbs	15 mins	USD \$347.97
	153-114-2614	White	8 lbs	15 mins	USD \$347.97
Mercedes Metris (135") EWB	113-114-2613	Grey	8 lbs	15 mins	USD \$347.97
	113-114-2614	White	8 lbs	15 mins	USD \$347.97
Sprinter Low Roof	103-114-2613.LR	Grey	10 lbs	15 mins	USD \$347.97
	103-114-2614.LR	White	10 lbs	15 mins	USD \$347.97
Sprinter High Roof	103-114-2613.HR	Grey	12 lbs	15 mins	USD \$347.97
	103-114-2614.HR	White	12 lbs	15 mins	USD \$347.97



Chevy City Express (115") WB	363-114-2613	Grey	10 lbs	15 mins	USD \$347.97
	363-114-2614	White	10 lbs	15 mins	USD \$347.97
GMC Savana RWB & EWB	303-114-2613	Grey	10 lbs	15 mins	USD \$347.97
	303-114-2614	White	10 lbs	15 mins	USD \$347.97

VEHICLE MAKE	PART #	COLOUR	WEIGHT	INSTALL	RETAIL	
	Promaster City (122" WB)	673-114-2613	Grey	8 lbs	15 mins	USD \$178.98
		673-114-2614	White	8 lbs	15 mins	USD \$178.98
Promaster 118" WB	623-114-2613	Grey	10 lbs	15 mins	USD \$347.97	
	623-114-2614	White	10 lbs	15 mins	USD \$347.97	
Promaster Low Roof	603-114-2613.LR	Grey	10 lbs	15 mins	USD \$347.97	
	603-114-2614.LR	White	10 lbs	15 mins	USD \$347.97	
Promaster High Roof	603-114-2613.HR	Grey	12 lbs	15 mins	USD \$347.97	
	603-114-2614.HR	White	12 lbs	15 mins	USD \$347.97	

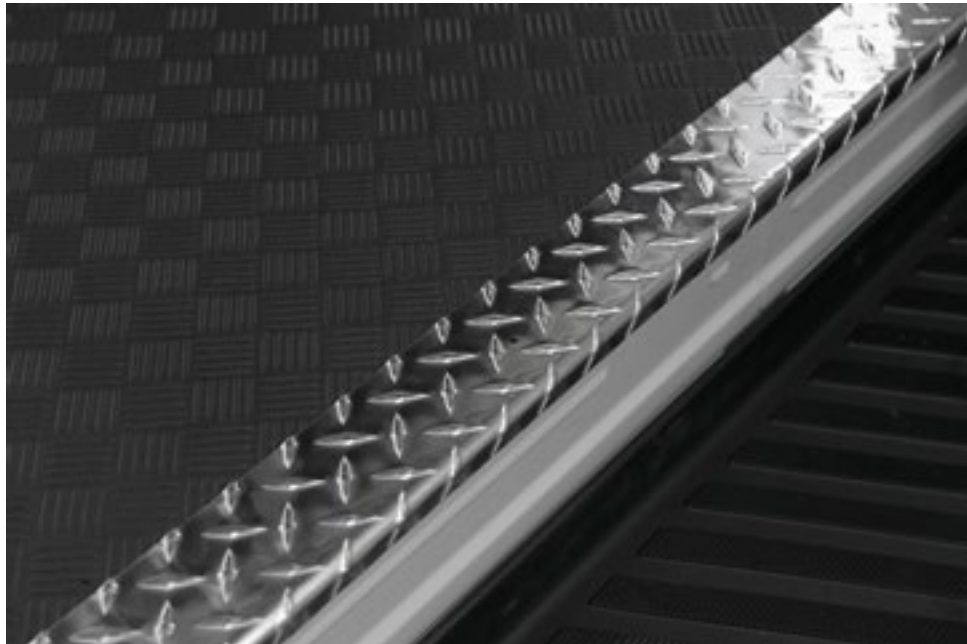


NV 200 (115" WB)	533-114-2613	Grey	10 lbs	15 mins	USD \$178.98
	533-114-2614	White	10 lbs	15 mins	USD \$178.98
NV Cargo (140" WB) Low Roof	513-114-2613	Grey	10 lbs	15 mins	USD \$347.97
	513-114-2614	White	10 lbs	15 mins	USD \$347.97
NV Cargo (140" WB) High Roof	523-114-2613	Grey	12 lbs	15 mins	USD \$347.97
	523-114-2614	White	12 lbs	15 mins	USD \$347.97

Additional Product Info

Discard front driver-side door panel if vehicle is not dual side door.

ALUMINIUM SIDE AND REAR SILL SET




Side and rear sills are used to protect the floor at the side and rear entrance to the cargo van where traffic is the highest. Made from high-grade aluminum, these sills are good for any application, especially when loading with a forklift. A raised finish also ensures excellent grip.

- MAXIMIZE PROTECTION FOR HIGHEST TRAFFIC AREAS
- ALUMINIUM CHECKER PLATE FOR HIGH GRIP/WEAR
- CUSTOM CUT AND FORMED EDGE PROTECTION
- PROFESSIONAL FINISH
- SOLD AS SET (REAR AND SIDE)



SILL PLATES SPECIFICATIONS


VEHICLE MAKE	PART #	WEIGHT	INSTALL	RETAIL
				
Transit Connect (105") SWB	719-151-1010 Side and Rear Sill Set	4 lbs	15 mins	USD \$177.00
Transit Connect (121") LWB	729-151-1010 Side Sill and Rear Sill Set	4 lbs	15 mins	USD \$177.00
Transit	709-151-1010 Side Sill and Rear Sill Set 709-151-1010.2 Dual Door Sill Set	6 lbs 9 lbs	10 mins 15 mins	USD \$204.82 USD \$315.14



Mercedes Metris Sill Set	159-151-1010 Side and Rear Sill Set 159-151-1010.2 Dual Door Sill Set	6 lbs 9 lbs	10 mins 15 mins	USD \$100.70 USD \$153.43
Mercedes Sprinter Sill Set	109-151-1010 Side and Rear Sill Set 109-151-1010.2 Dual Door Sill Set	6 lbs 9 lbs	10 mins 15 mins	USD \$100.70 USD \$153.43



Promaster City (122" WB)	679-151-1010 Side and Rear Sill Set	13 lbs	20 mins	USD \$153.43
Promaster 118" WB	629-151-1010 Side and Rear Sill Set 629-151-1010.2 Dual Door Sill Set	4 lbs 6 lbs	10 mins 15 mins	USD \$100.70 USD \$153.43
Promaster	609-151-1010 Side and Rear Sill Set 609-151-1010.2 Dual Door Sill Set	4 lbs 6 lbs	10 mins 15 mins	USD \$100.70 USD \$153.43

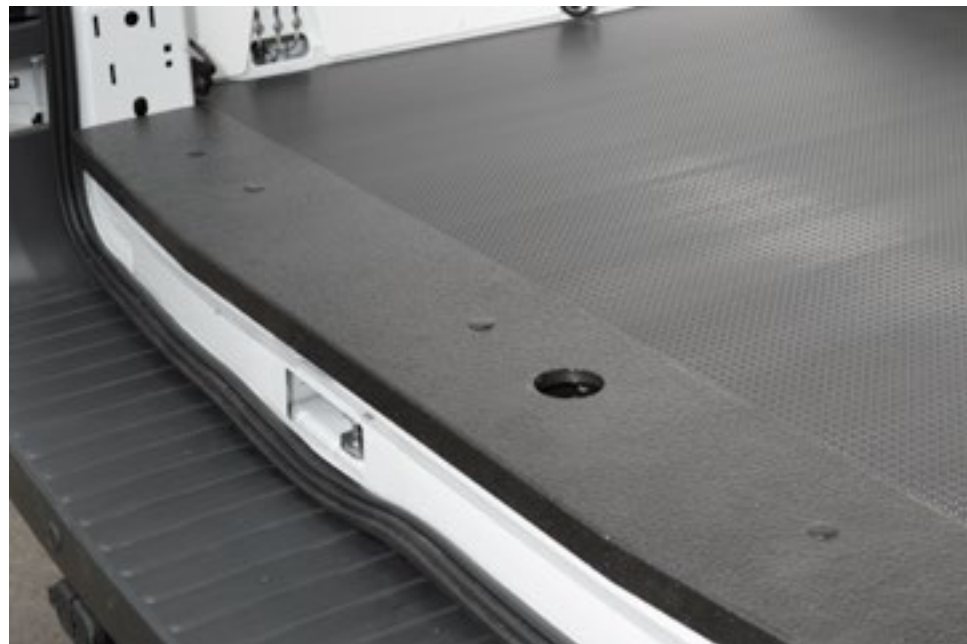
VEHICLE MAKE	PART #	WEIGHT	INSTALL	RETAIL
				
Chevy City Express (115") WB	369-151-1010 Side and Rear Sill Set	4 lbs	18 mins	\$118.80
GMC Savana RWB & EWB	309-151-1010 Side and Rear Sill Set	5 lbs	10 mins	\$169.72



NV 200 (115" WB)	539-151-1010 Side and Rear Sill Set	4 lbs	20 mins	USD \$118.80
NV Cargo LR & HR	009-151-1010 Side and Rear Sill Set	4 lbs	10 mins	USD \$100.70




BLACK STEEL SIDE AND REAR THRESHOLDS



Transit doorway thresholds are made from 14 gauge steel with a special vacuumized coating that is both sturdy and non-slip. These are more durable than the standard factory fitted thresholds, helping to protect the entrance of Ford Transits.


- MAXIMIZED PROTECTION FOR HIGHEST TRAFFIC AREAS
- POWDER-COATED STEEL FOR HIGH GRIP/WEAR
- HEAVY DUTY, EXTREMELY DURABLE
- CUSTOM CUT AND FORMED EDGE PROTECTION
- PROFESSIONAL FINISH

VEHICLE MAKE	PART #	WEIGHT	INSTALL	RETAIL
				
Transit Side & Rear Threshold Set - Black	709-151-1011	12 lbs	15 mins	USD \$295.00
Transit Dual Side & Rear Threshold Set - Black	709-151-1011.2	19 lbs	20 mins	USD \$450.00



**AVAILABLE IN
YELLOW**

Inquire for more customized fleet colour options, such as red, purple, orange, and more!

VEHICLE MAKE	PART #	WEIGHT	INSTALL	RETAIL
				
Transit Side & Rear Threshold Set - Yellow	709-151-1018	18 lbs	15 mins	USD \$325.00
Transit Dual Side & Rear Threshold Set - Yellow	709-151-1018.2	22 lbs	20 mins	USD \$500.00

WHEEL WELL COVERS






Protection: Covers allow full protection of all bare metal panels. In a cargo van, the wheel wells are one of the first things to dent and damage quickly, because of cargo loading in and out.

Decrease Road Noise: significantly deaden loud wheel and road noise by closing in wheel wells with extra padding.

Thermal Barrier: with layers of insulation, wheel well covers complete the insulation of the van's interiors.

Professional Appearance: enhance your brand and mobile workforce appearance.

VEHICLE MAKE	PART #	WEIGHT	INSTALL	RETAIL
 Ford Transit Wheel Well Cover Set - Black	7-WWC-11	7 lbs	10 mins	USD \$134.87
 RAM ProMaster Wheel Well Cover Set - Black	6-WWC-11	9 lbs	10 mins	USD \$193.87
 Mercedes-Benz Sprinter Wheel Well Cover Set - Black	1-WWC-11	7 lbs	10 mins	USD \$153.00



TRANSIT



PROMASTER



SPRINTER

ECONOLITE

BUDGET-FRIENDLY INTERIOR LINERS



Increase resale value with cost-effective protection. Where budget takes priority and protecting wall panels is a must. Adds value and safety to vans in your fleet.

EconoLite Wall and Door Liners

- 4mm thick polypropylene liners
- easy install with push-in rivets
- available in light grey
- budget-friendly for base protection

EconoMat - Rubber Mat

- 1/8" Economy Rubber Mat (sills not included)


EconoFloor - Rigid Floor

- 3/8" Economy Rigid Floor (sills not included)



ECONOLITE WALL LINER

SPECIFICATIONS

VEHICLE MAKE	PART #	COLOUR	WEIGHT	INSTALL	RETAIL
					
Transit Connect (105") SWB	05F01-20	Light Grey	15 lbs	30 mins	USD \$237.75
Transit Connect (121") LWB	05F02-20	Light Grey	15 lbs	30 mins	USD \$292.37
Transit 130" Low Roof	05F03-20-L	Light Grey	24 lbs	45 mins	USD \$631.49
Transit 130" Mid Roof	05F03-20-M	Light Grey	26 lbs	45 mins	USD \$631.49
Transit 148" Low Roof	05F04-20-L	Light Grey	28 lbs	45 mins	USD \$723.99
Transit 148" Mid Roof	05F04-20-M	Light Grey	30 lbs	60 mins	USD \$723.99
Transit 148" High Roof	05F04-20-H	Light Grey	33 lbs	60 mins	USD \$723.99
Transit 148" Ext. WB	05F05-20	Light Grey	38 lbs	75 mins	USD \$818.07




Mercedes-Benz

Mercedes Metris (126") RWB	05M01-20	Light Grey	21 lbs	35 mins	USD \$632.25
Mercedes Metris (135") EWB	05M05-20	Light Grey	24 lbs	35 mins	USD \$632.25
Sprinter 144" WB Low Roof	05M02-20-L	Light Grey	26 lbs	45 mins	USD \$687.96
Sprinter 144" WB High Roof	05M02-20-L	Light Grey	26 lbs	45 mins	USD \$687.96
Sprinter 170" WB	05M03-20	Light Grey	40 lbs	75 mins	USD \$836.64
Sprinter 170" Ext. WB	05M04-20	Light Grey	45 lbs	90 mins	USD \$944.95



Chevy City Express (115") WB	05G01-20	Light Grey	13 lbs	30 mins	USD \$258.29
GMC Savana RWB	05G02-20	Light Grey	22 lbs	60 mins	USD \$408.37
GMC Savana EWB	05G03-20	Light Grey	25 lbs	60 mins	USD \$564.88

VEHICLE MAKE	PART #	COLOUR	WEIGHT	INSTALL	RETAIL
					
Promaster City (122" WB)	05R01-20	Light Grey	20 lbs	45 mins	USD \$357.58
Promaster 118" WB	05R02-20	Light Grey	25 lbs	60 mins	USD \$476.72
Promaster 136" WB Low Roof	05R03-20-L	Light Grey	28 lbs	60 mins	USD \$632.25
Promaster 136" WB High Roof	05R03-20-H	Light Grey	30 lbs	60 mins	USD \$632.25
Promaster 159" WB	05R04-20	Light Grey	32 lbs	60 mins	USD \$723.99
Promaster 159" Ext. WB	05R05-20	Light Grey	36 lbs	75 mins	USD \$818.07




NV 200 (115" WB)	05N01-20-H	Light Grey	13 lbs	30 mins	USD \$258.29
NV Cargo (140" WB) Low Roof	05N02-20-L	Light Grey	20 lbs	60 mins	USD \$719.18
NV Cargo (140" WB) High Roof	05N02-20-H	Light Grey	25 lbs	60 mins	USD \$719.18




ECONOLITE DOOR LINER


SPECIFICATIONS

VEHICLE MAKE	PART #	COLOUR	WEIGHT	INSTALL	RETAIL
					
Transit Connect (105") SWB	07F01-20	Light Grey	8 lbs	15 mins	USD \$161.08
Transit Connect (121") LWB	07F02-20	Light Grey	8.5 lbs	15 mins	USD \$161.08
Transit Low Roof	07F00-20-L	Light Grey	9 lbs	15 mins	USD \$313.18
Transit Mid Roof	07F00-20-M	Light Grey	10 lbs	15 mins	USD \$313.18
Transit High Roof	07F00-20-H	Light Grey	10 lbs	15 mins	USD \$313.18

					
Mercedes-Benz					
Mercedes Metris (126") RWB	07M01-20	Light Grey	7 lbs	15 mins	USD \$313.18
Mercedes Metris (135") EWB	07M05-20	Light Grey	7 lbs	35 mins	USD \$313.18
Sprinter Low Roof	07M00-20-L	Light Grey	11 lbs	15 mins	USD \$313.18
Sprinter High Roof	07M00-20-H	Light Grey	11 lbs	15 mins	USD \$313.18

					
Chevy City Express (115") WB	07G01-20	Light Grey	9 lbs	15 mins	USD \$161.08
GMC Savana RWB/EWB	07G00-20	Light Grey	9 lbs	15 mins	USD \$313.18


					
RAM					
Promaster City (122" WB)	07R01-20	Light Grey	7 lbs	15 mins	USD \$161.08
Promaster 118" WB	07R02-20	Light Grey	8 lbs	15 mins	USD \$313.18
Promaster Low Roof	07R00-20-L	Light Grey	8 lbs	15 mins	USD \$313.18
Promaster High Roof	07R00-20-H	Light Grey	8 lbs	15 mins	USD \$313.18


VEHICLE MAKE	PART #	COLOUR	WEIGHT	INSTALL	RETAIL
					
NISSAN					
NV 200 (115" WB)	07N01-20-H	Light Grey	8 lbs	15 mins	USD \$161.08
NV Cargo (140" WB) Low Roof	07N02-20-L	Light Grey	8 lbs	15 mins	USD \$313.18
NV Cargo (140" WB) High Roof	07N02-20-H	Light Grey	10 lbs	15 mins	USD \$313.18





ECONOMAT RUBBER MAT


SPECIFICATIONS

VEHICLE MAKE	PART #	WEIGHT	INSTALL	RETAIL
				
Transit Connect (105") SWB	09F01-31	18 lbs	10 mins	USD \$116.19
Transit Connect (121") LWB	09F02-31	22 lbs	10 mins	USD \$129.73
Transit 130" WB	09F03-31	36 lbs	10 mins	USD \$266.63
Transit 148" WB	09F04-31	42 lbs	10 mins	USD \$291.34
Transit 148" Ext. WB	09F05-31	54 lbs	10 mins	USD \$329.57

				
Mercedes-Benz				
Mercedes Metris (126") RWB	09M01-31	44 lbs	15 mins	USD \$266.63
Mercedes Metris (135") EWB	09M05-31	46 lbs	15 mins	USD \$266.63
Sprinter 144" WB	09M02-31	48 lbs	15 mins	USD \$281.08
Sprinter 170" WB	09M03-31	60 lbs	15 mins	USD \$332.91
Sprinter 170" Ext. WB	09M04-31	65 lbs	15 mins	USD \$344.37

				
RAM				
Promaster City (122" WB)	09R01-31	22 lbs	10 mins	USD \$162.69
Promaster 118" WB	09R02-31	36 lbs	15 mins	USD \$248.23
Promaster 136" WB	09R03-31	44 lbs	15 mins	USD \$266.63
Promaster 159" WB	09R04-31	53 lbs	20 mins	USD \$291.68
Promaster 159" Ext. WB	09R05-31	55 lbs	20 mins	USD \$329.57

VEHICLE MAKE	PART #	WEIGHT	INSTALL	RETAIL
				
NV 200 (115" WB)	09N01-31	20 lbs	10 mins	USD \$134.72
NV Cargo (140" WB) LR/HR	09N02-31	38 lbs	20 mins	USD \$236.13

				
GMC				
Chevy City Express (115") WB	09G01-31	20 lbs	10 mins	USD \$134.72
GMC Savana RWB	09G02-31	37 lbs	10 mins	USD \$232.09
GMC Savana EWB	09G03-31	44 lbs	10 mins	USD \$258.95

Aluminum Sills NOT Included with EconoMat

ECONOFLOOR RIGID FLOOR

SPECIFICATIONS

VEHICLE MAKE	PART #	WEIGHT	INSTALL	RETAIL
--------------	--------	--------	---------	--------



Transit Connect (105") SWB	01F01-33	37 lbs	10 mins	USD \$460.08
Transit Connect (121") LWB	01F02-33	45 lbs	15 mins	USD \$513.68
Transit 130" WB	01F03-33	100 lbs	20 mins	USD \$609.90
Transit 148" WB	01F04-33	100 lbs	20 mins	USD \$749.31
Transit 148" Ext. WB	01F05-33	128 lbs	30 mins	USD \$847.71



Mercedes-Benz

Mercedes Metris (126") RWB	01M01-33	97 lbs	20 mins	USD \$610.63
Mercedes Metris (135") EWB	01M05-33	104 lbs	20 mins	USD \$610.63
Sprinter 144" WB	01M02-33	108 lbs	20 mins	USD \$645.08
Sprinter 170" WB	01M03-33	135 lbs	20 mins	USD \$865.54
Sprinter 170" Ext. WB	01M04-33	150 lbs	20 mins	USD \$914.14



Promaster City (122" WB)	01R01-33	74 lbs	20 mins	USD \$514.31
Promaster 118" WB	01R02-33	85 lbs	20 mins	USD \$549.50
Promaster 136" WB	01R03-33	95 lbs	20 mins	USD \$610.63
Promaster 159" WB	01R04-33	121 lbs	20 mins	USD \$750.21
Promaster 159" Ext. WB	01R05-33	133 lbs	20 mins	USD \$847.71

VEHICLE MAKE	PART #	WEIGHT	INSTALL	RETAIL
--------------	--------	--------	---------	--------



NV 200 (115" WB)	01N01-33	47 lbs	10 mins	USD \$579.06
NV Cargo (140" WB) LR/HR	01N02-33	100 lbs	20 mins	USD \$579.06



Chevy City Express (115") WB	01G01-33	47 lbs	10 mins	USD \$433.02
GMC Savana RWB	01G02-33	95 lbs	20 mins	USD \$569.64
GMC Savana EWB	01G03-33	102 lbs	20 mins	USD \$680.07

Aluminum Sills NOT Included with EconoFloor

CUSTOMIZE YOUR FLEET NEEDS

- **Increase Vehicle Resale Value**
Highly durable products protect van panels from costly dents and damage and extend vehicle life
- **Optimize Operator Productivity**
Enables ease of loading and operating conditions for technicians, reduce road noise
- **Create Safe Mobile Workspaces**
Flat, anti-slip surfaces minimize trips and slips
- **Improve Professional Appearance**
Clean, organized upfits enhance brand image
- **Proven Products in Field**
Used in some of the largest fleets in North America
- **Extensive Product Access**
Large network of upfitters across North America
- **Fast Quoting, Spec'ing Options**



Legend Fleet products are currently used in fleets of all sizes across North America, from last mile delivery and service vehicles to the utilities and telecom industry. Thousands of cargo van users rely on Legend interior protection to maximize the safety, comfort, and productivity of their mobile workforce and prevent costly damage to their assets.

Get in touch: info@legendfleet.com

The image shows the interior of a vehicle, likely a truck or van, with a focus on a protective roll-up cover. The cover is white and is partially unrolled, revealing a metal frame underneath. The frame is made of dark metal panels with visible rivets. The background is bright, suggesting an open door or window. The text "EXPERTS IN FLEET PROTECTION" is overlaid in a bold, black, distressed font on the left side of the image.

**EXPERTS IN FLEET
PROTECTION**